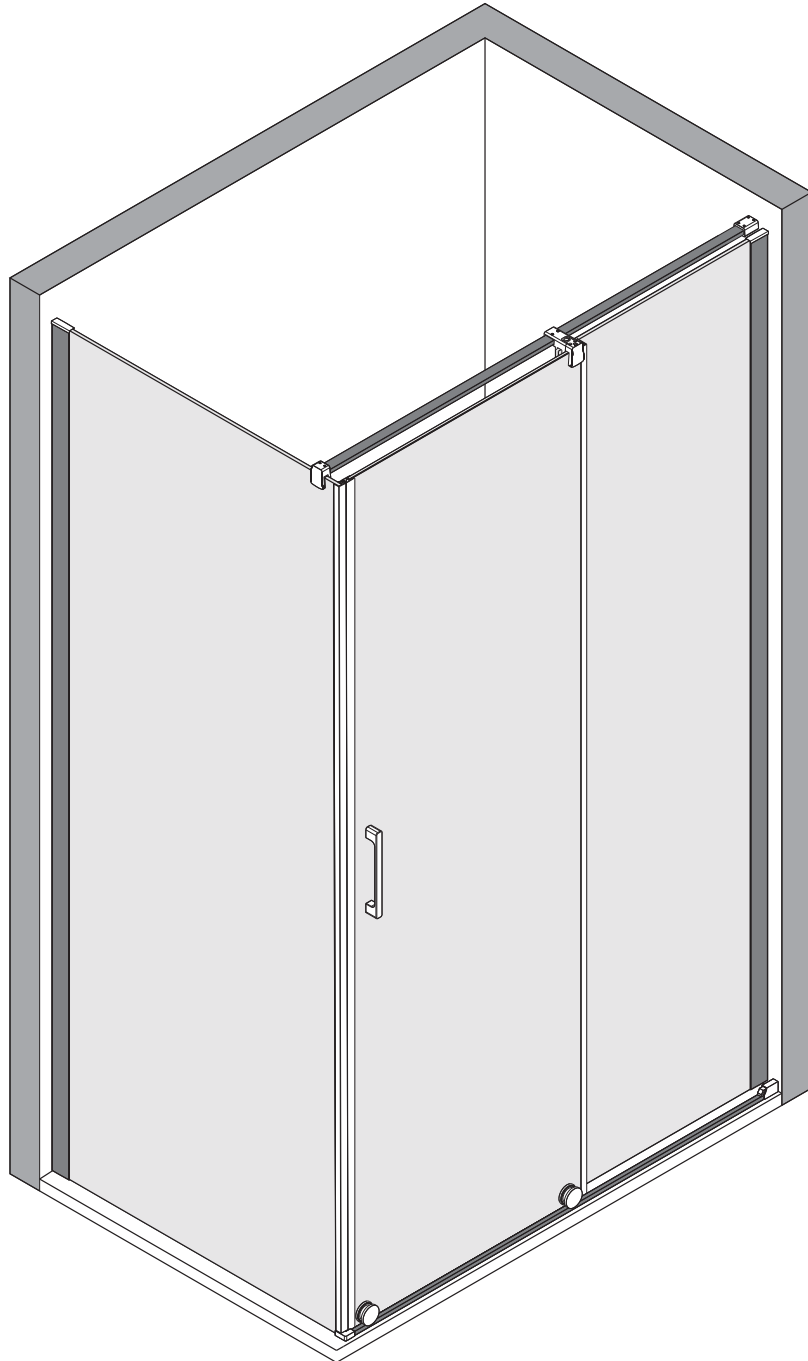
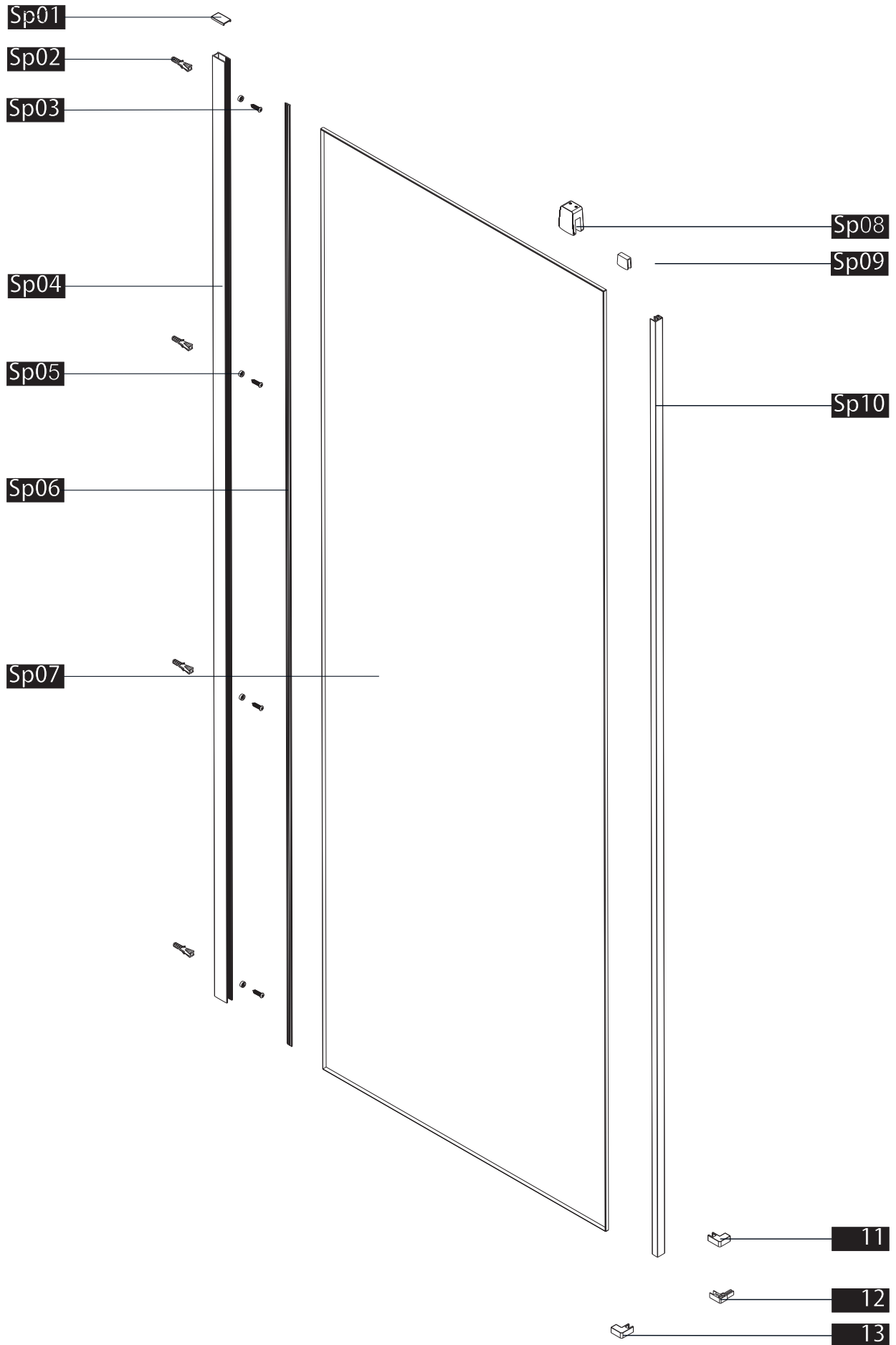


rubicer | SHOWERING

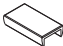














*Best*

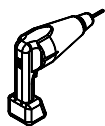
# Produktoversikt:



# Deler:

serial number	graphical	size	quantity	part no
Sp01			1	
Sp02			4	
Sp03		ST4.2X32	4	
Sp04			1	
Sp05			4	
Sp06			1	
Sp07			1	
Sp08			1	
Sp09			1	
Sp10			1	
Sp11			1	
Sp12			1	
Sp13			1	
Sp14				
Sp15				
Sp16				

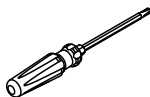
## OUTILS ET MATÉRIAUX REQUIS/TOOLS AND MATERIALS REQUIRED



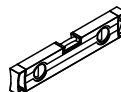
PERCEUSE  
DRILL



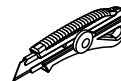
SCISSORS



TOURNEVIS  
SCREWDR



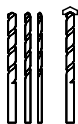
NIVEAU  
LEVEL



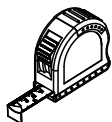
COUTEAU DE PRECISION  
PRECISION KNIFE



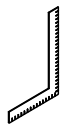
SILICONE  
SILICONE



FORETS: 1/8", 3/16" ET 1/4"  
\*FORET A MAÇONNERIE  
DRILL BITS: 1/8", 3/16" ET 1/4"  
\*MASONRY DRILL BIT



RUBAN A MESURER  
MEASURING TAPE



ÉQUERRE  
SET SQUARE



CRAYON  
PENCIL

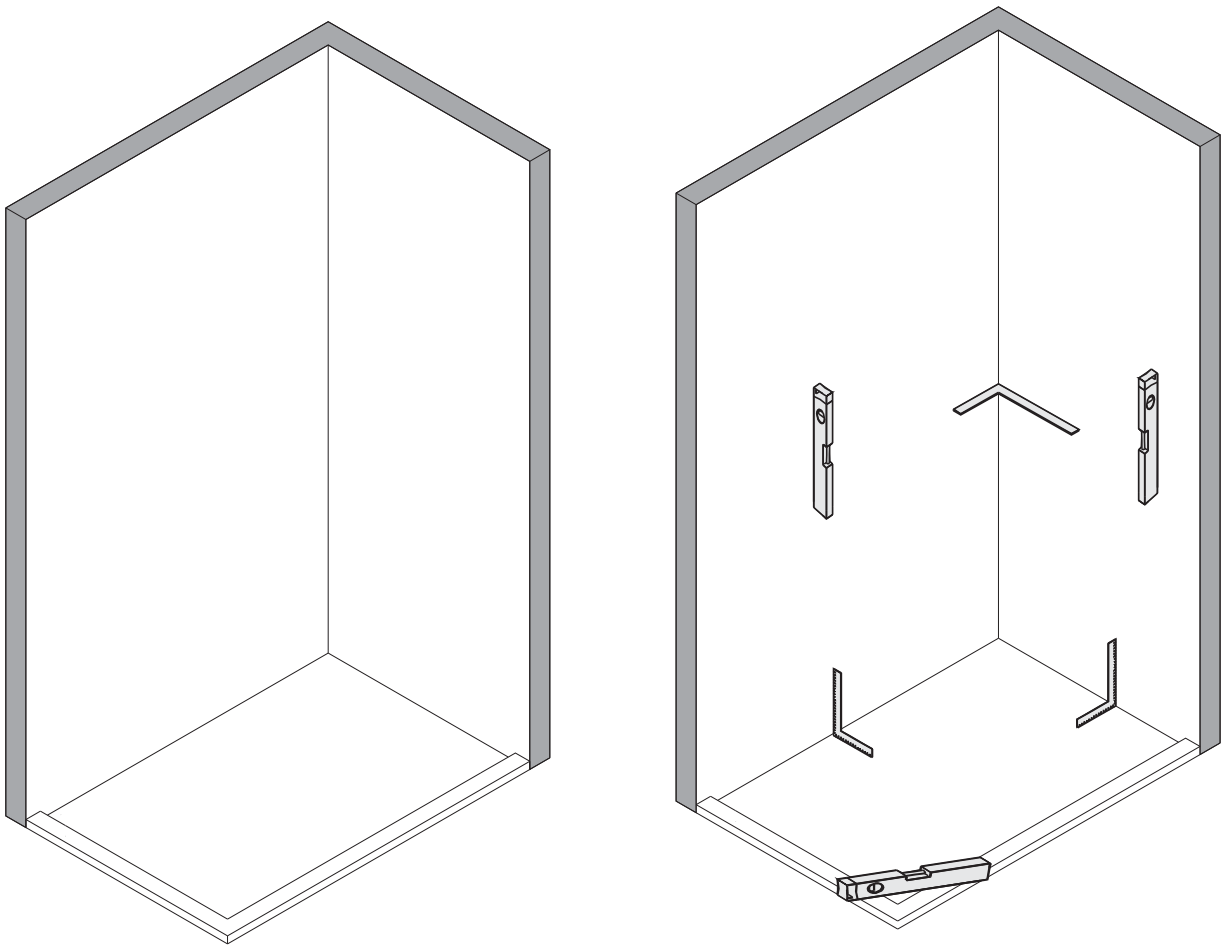


MAILLET  
MALLET

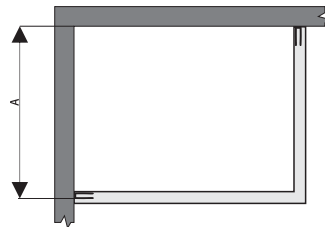
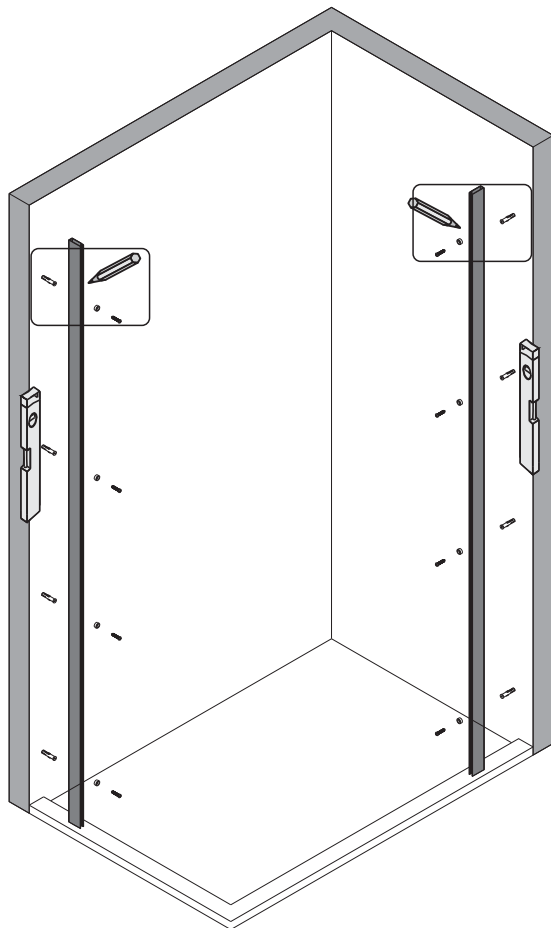


INNER HEXAGON  
SPANNER

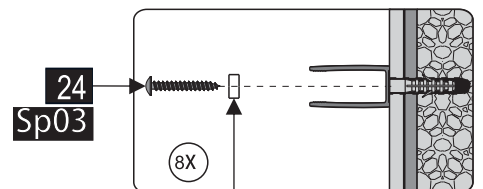
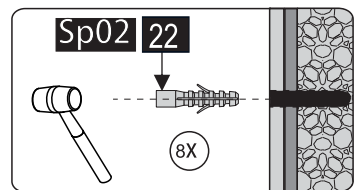
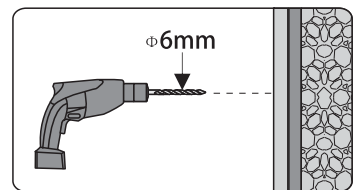
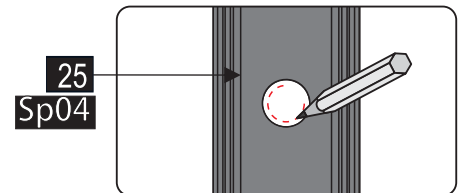
1



2

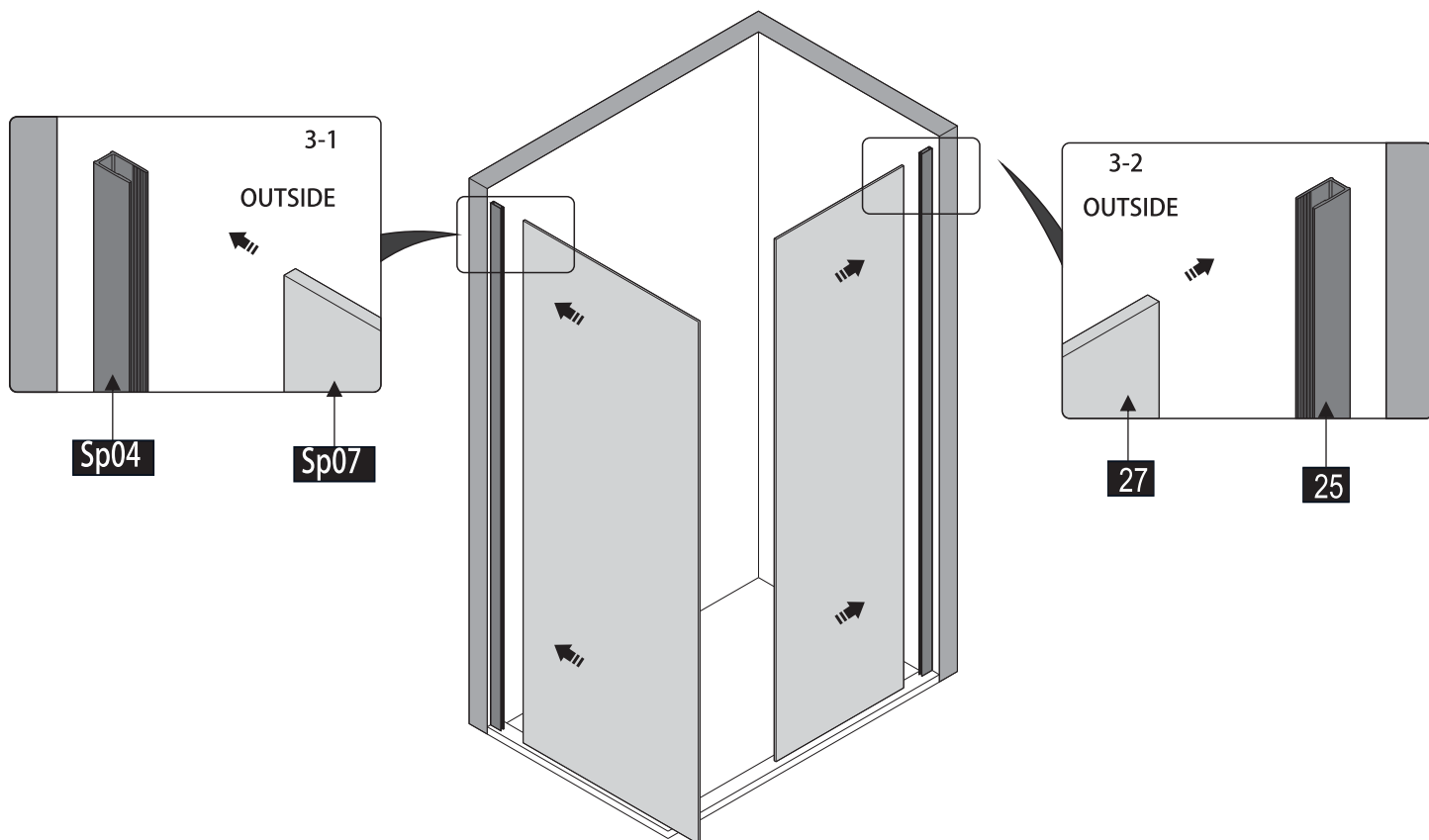


Size	A
700	680 ~ 700
800	780 ~ 800
900	880 ~ 900

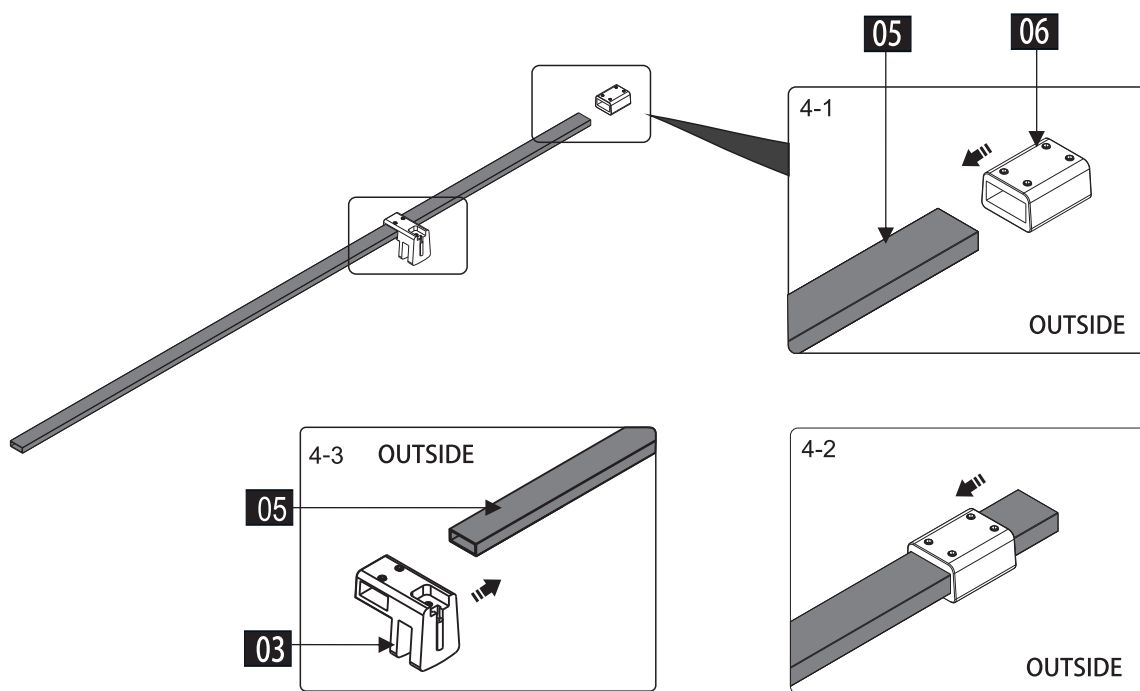


23 Sp05

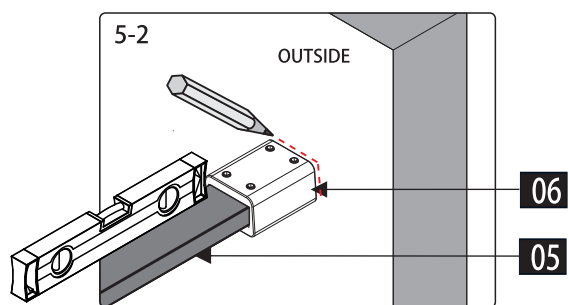
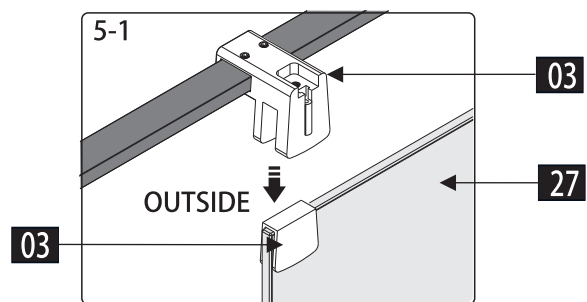
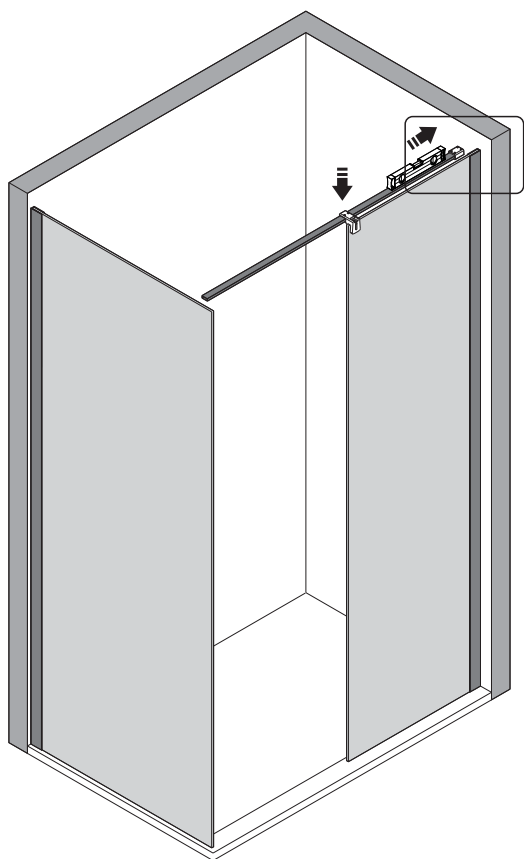
3



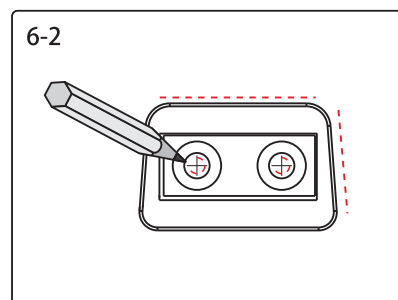
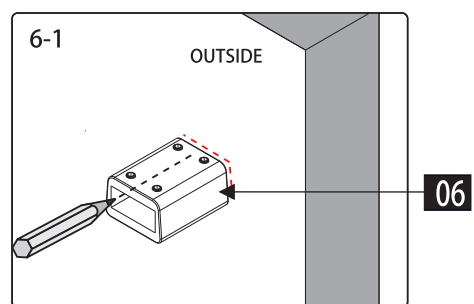
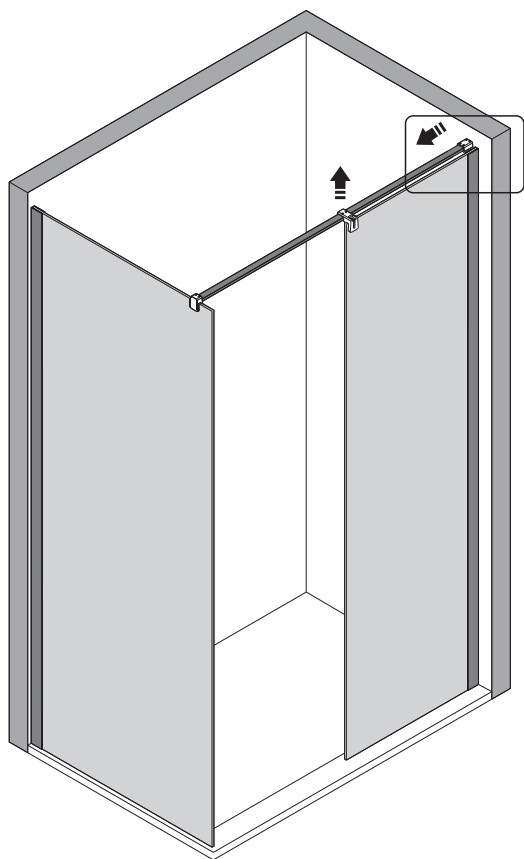
4



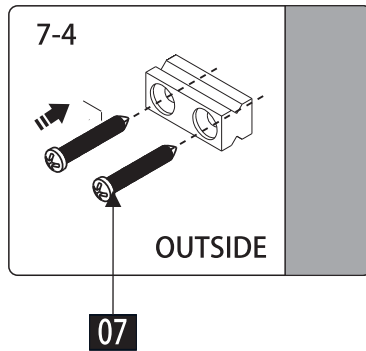
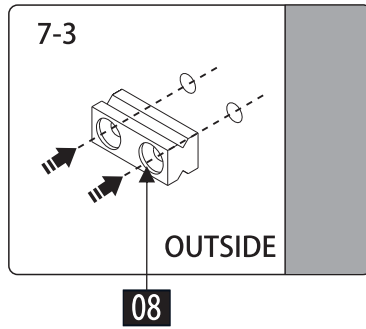
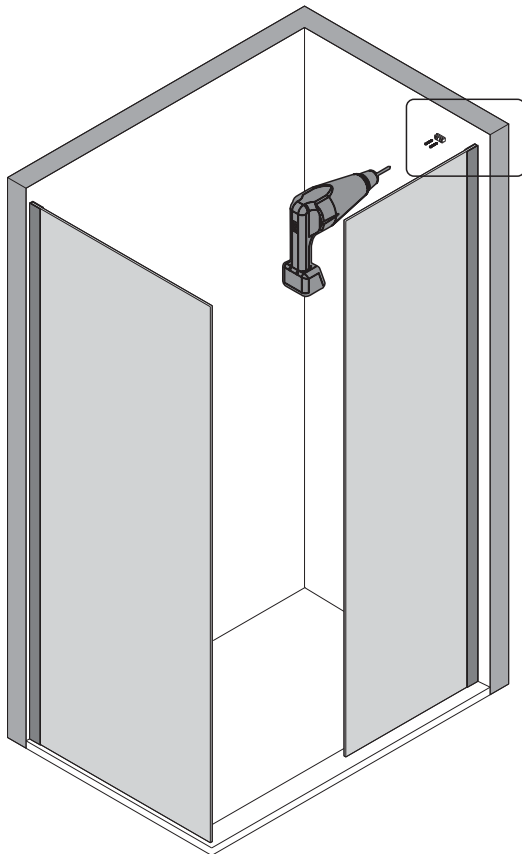
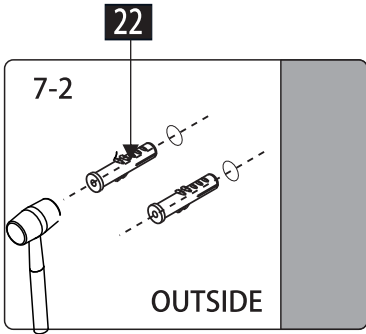
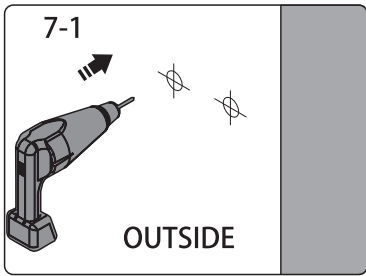
5



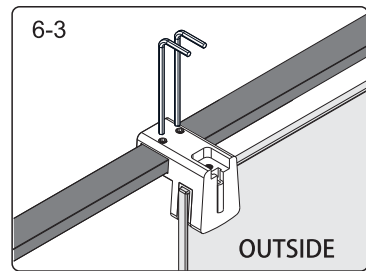
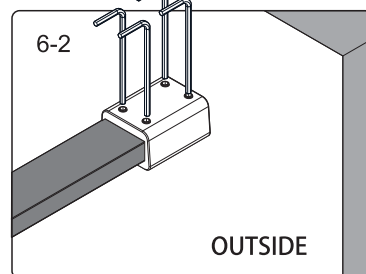
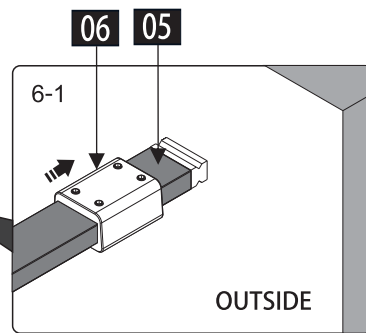
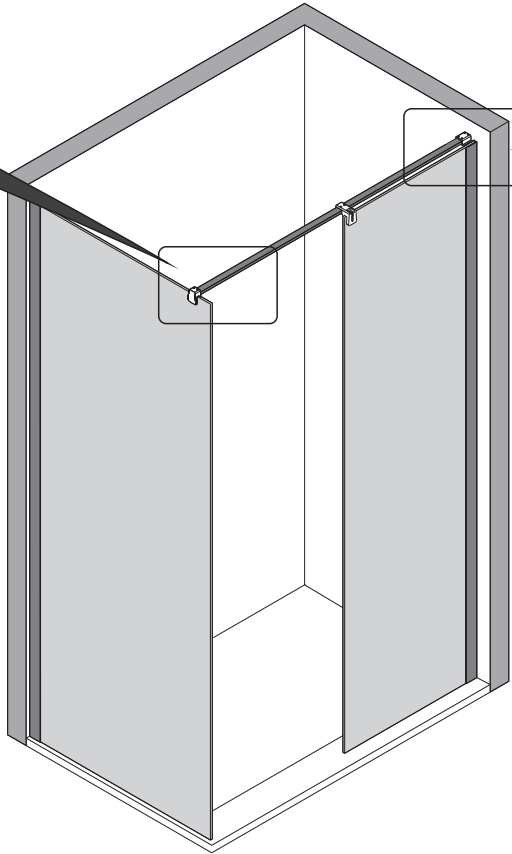
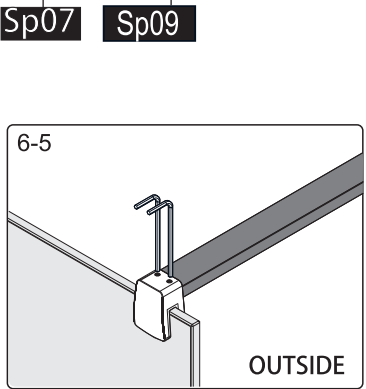
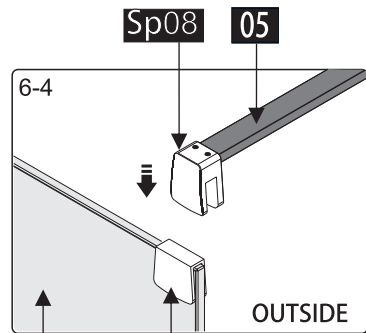
6



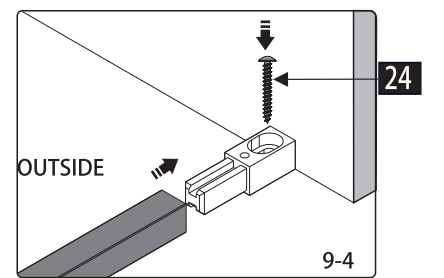
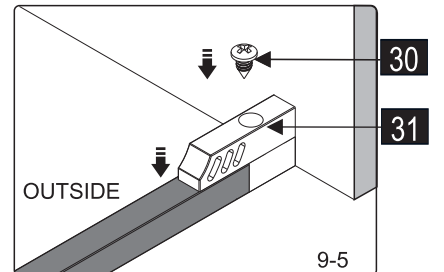
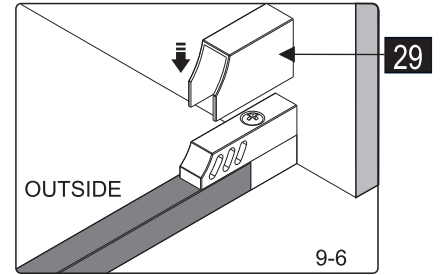
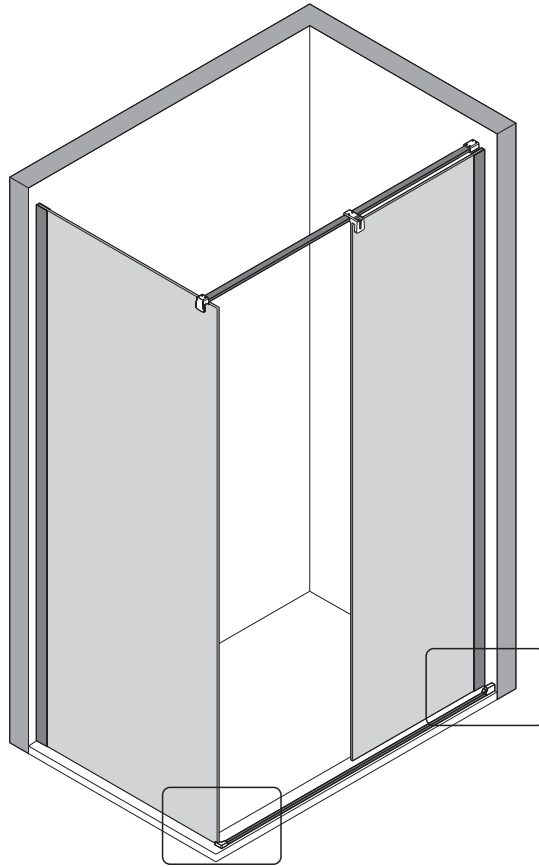
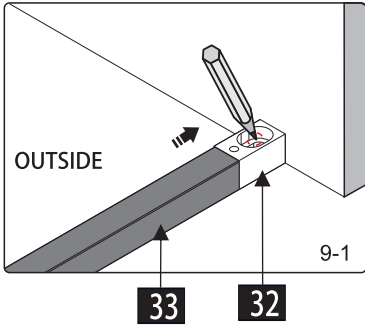
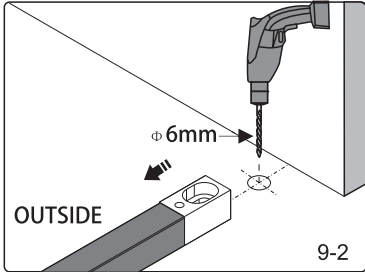
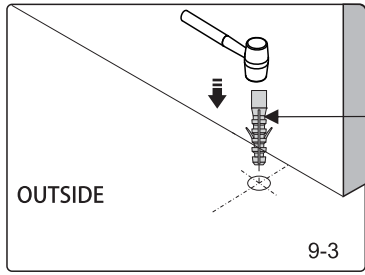
# 7



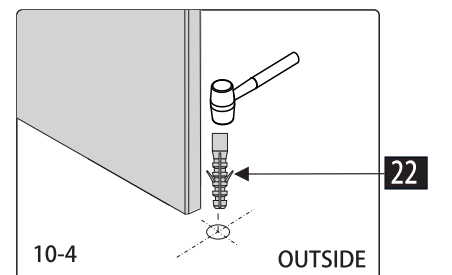
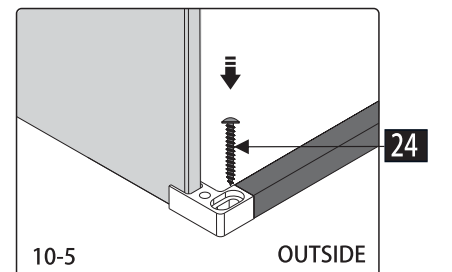
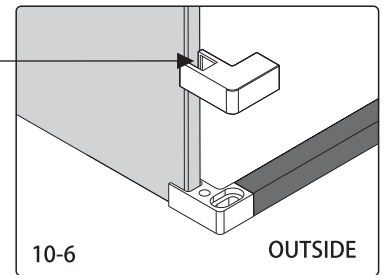
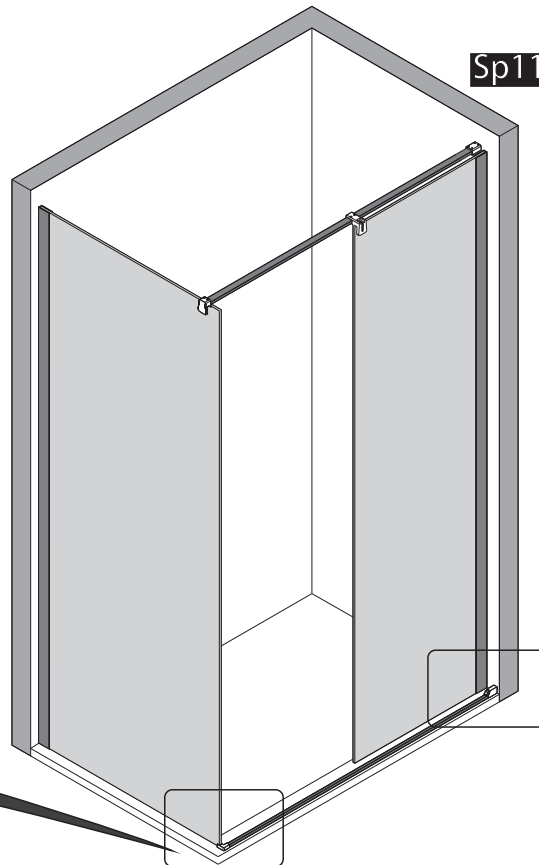
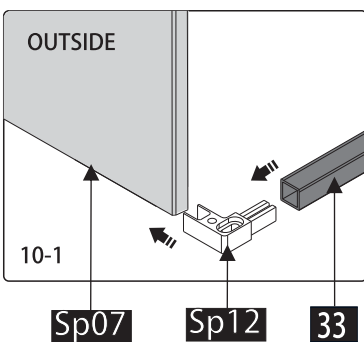
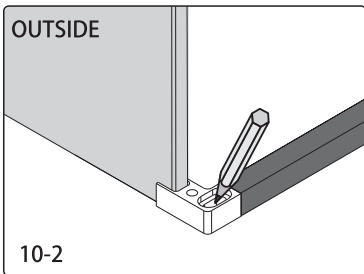
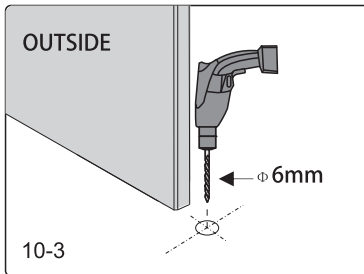
# 8



# 9

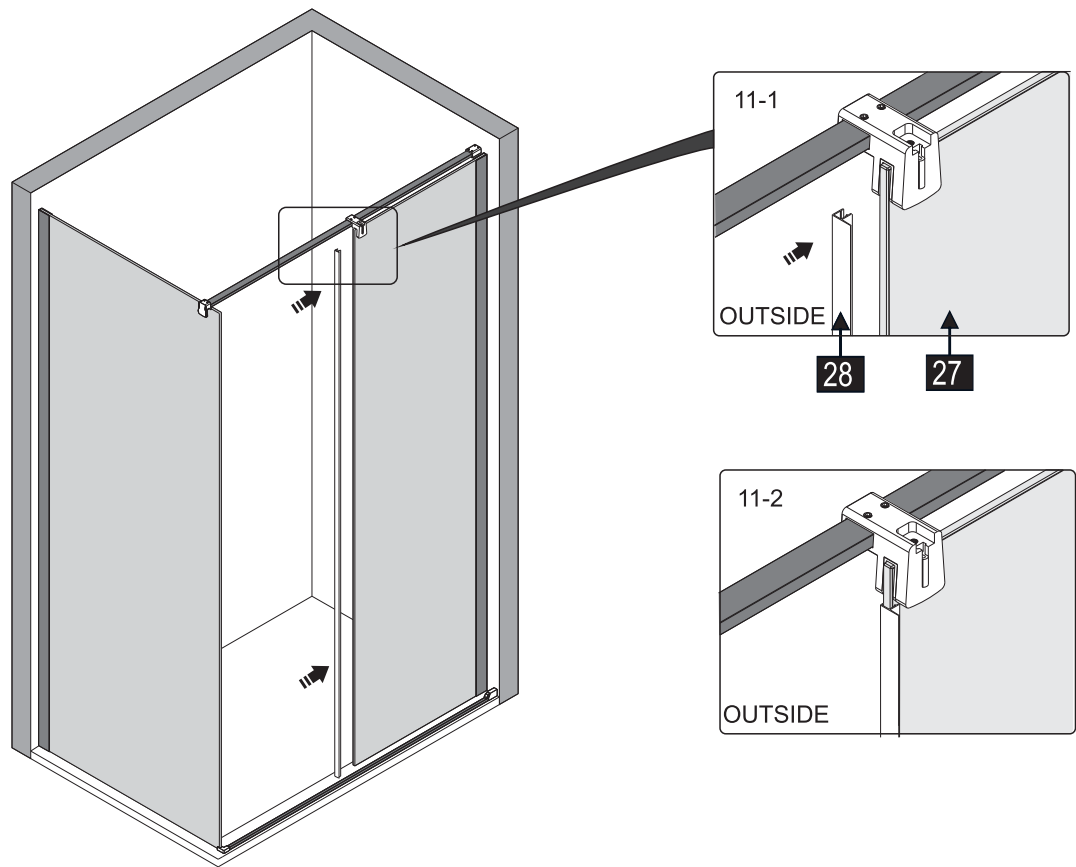


# 10





# 11



# 12

