



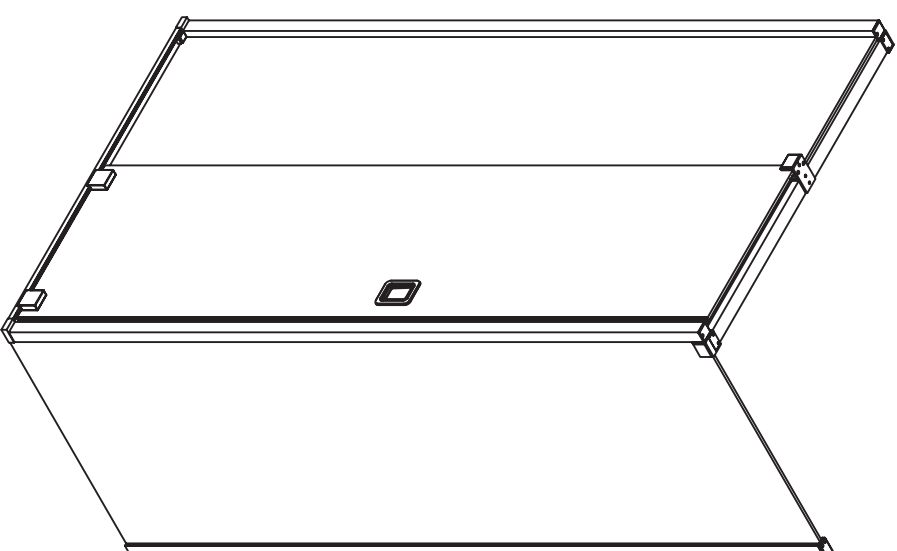
IOS



ANDROID

App  
Rubicer

*Evolution*



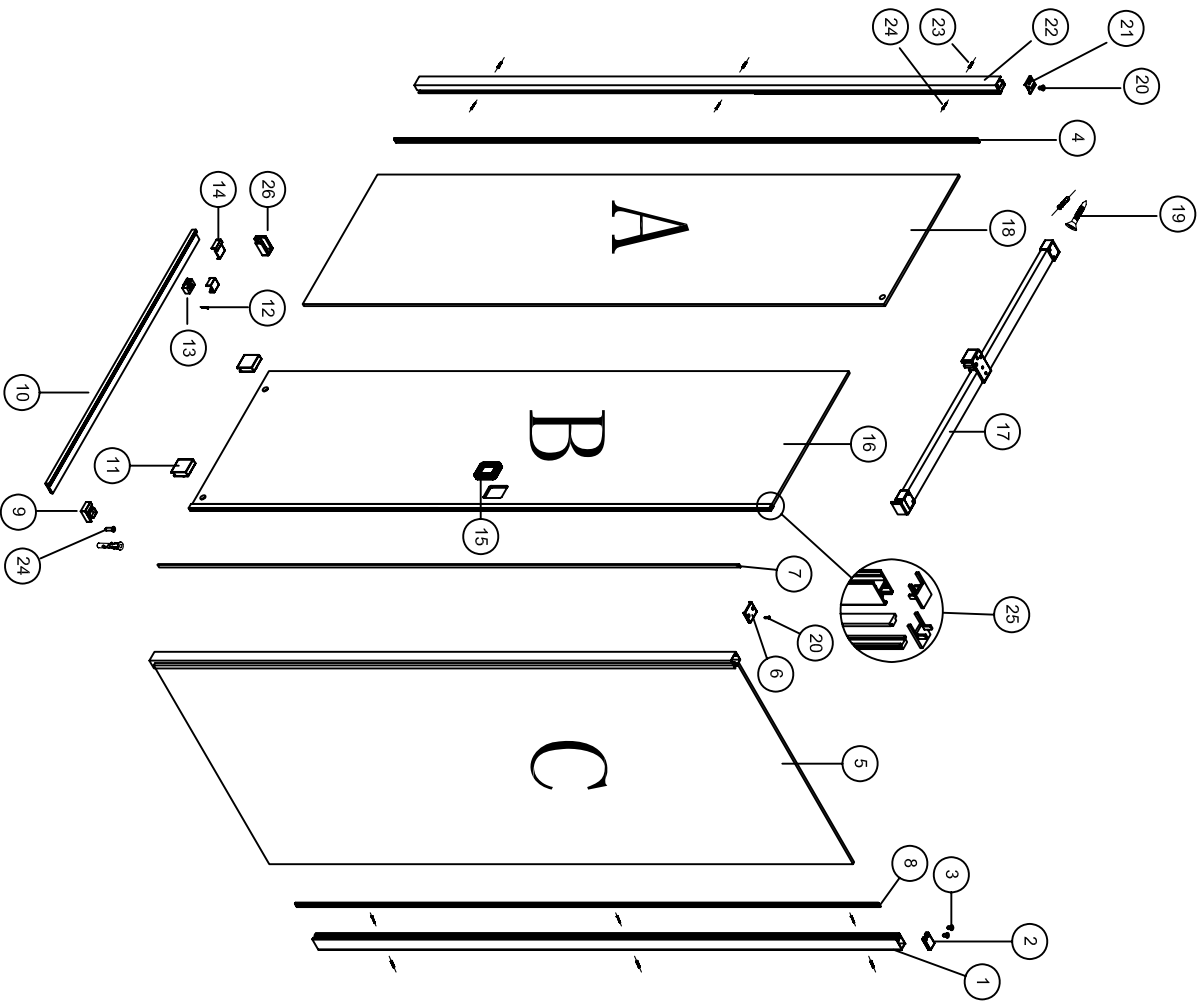
Sede • Showroom • Warehouse Ovar - Portugal

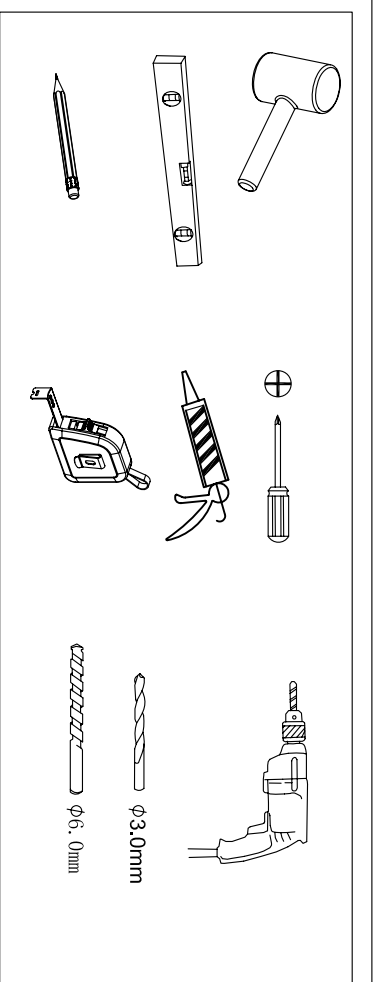
Zona Industrial a Norte de Ovar  
Rua do Estado da Índia, nº 48  
3880-331 Ovar, Portugal

T.: (+351) 256 790 140

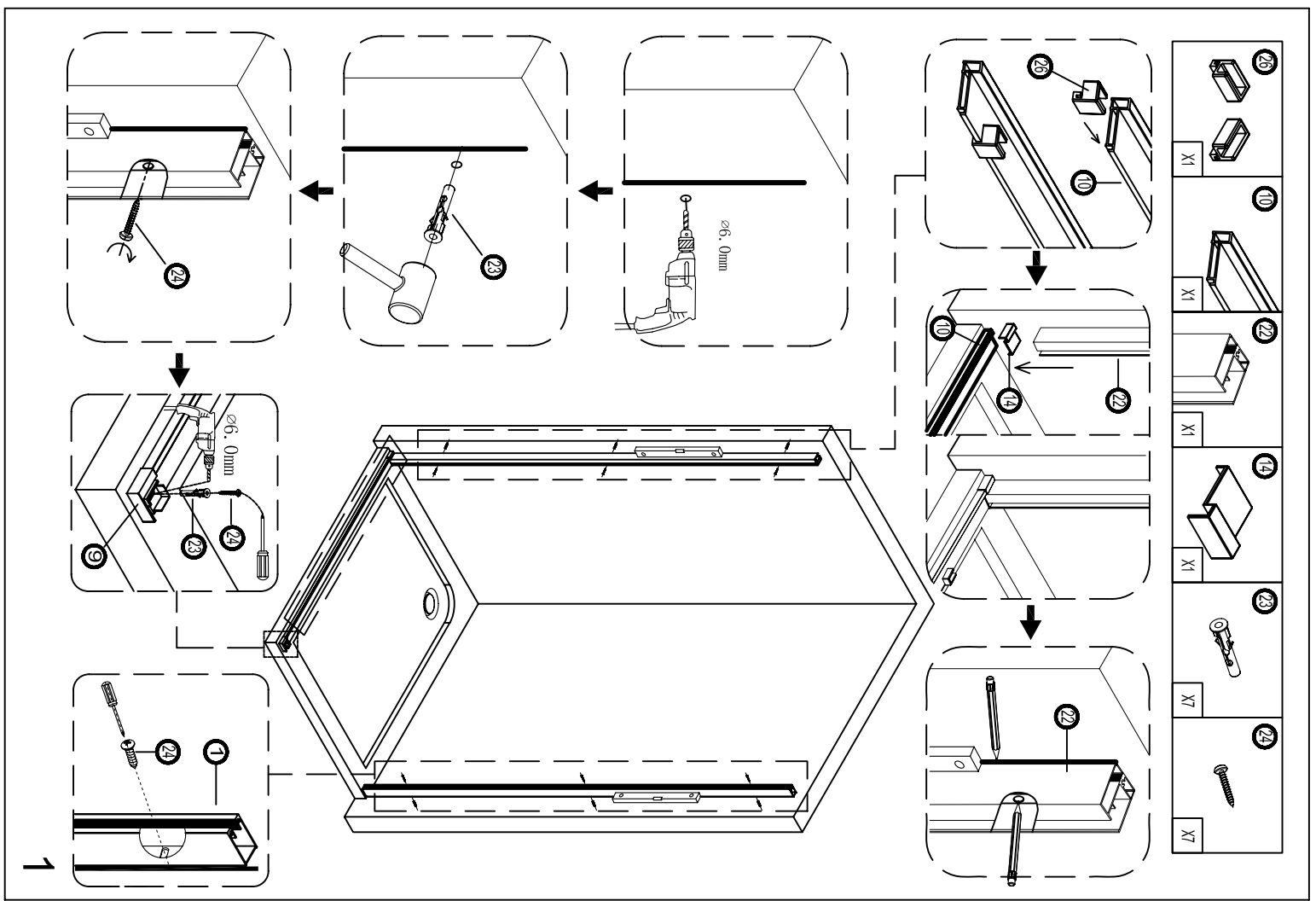
E-mail: [geral@rubicer.pt](mailto:geral@rubicer.pt)  
[www.rubicer.pt](http://www.rubicer.pt)

 **rubicer**

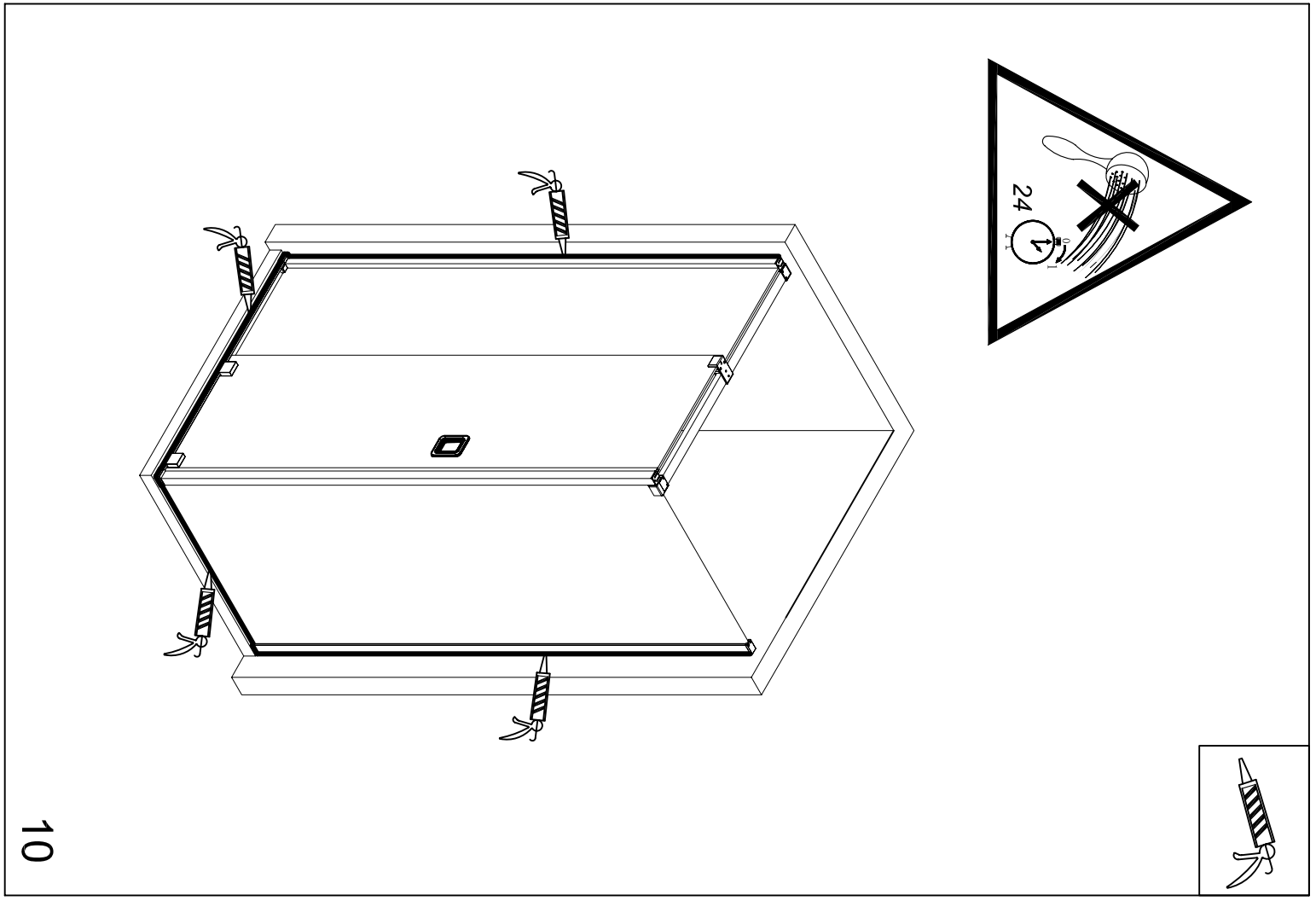


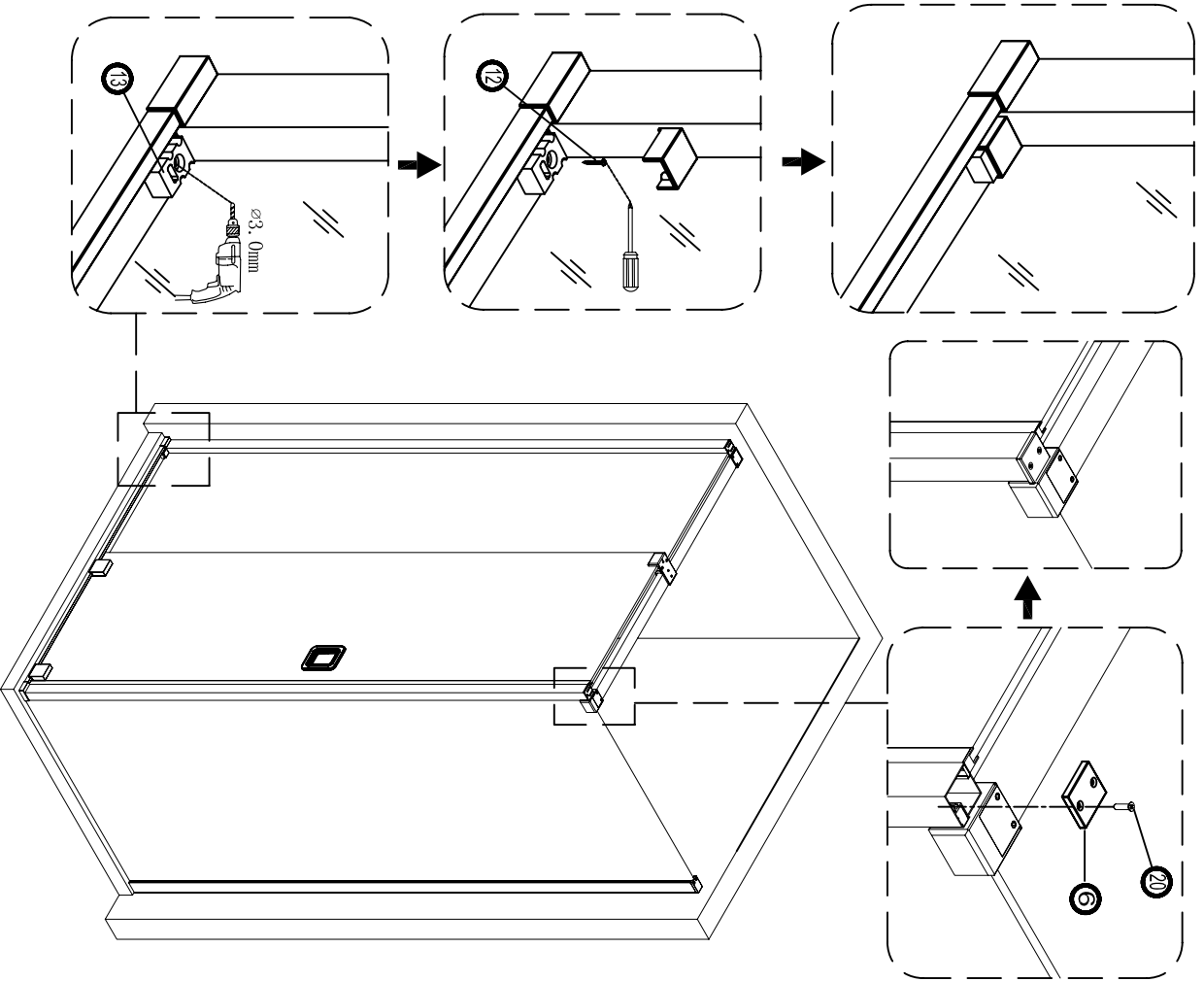
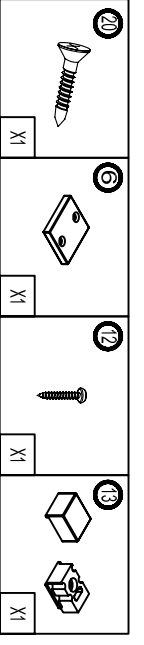


1		AL068	x1	18		A	x1
2		PL096	x1	19		ST4X30	x1
3		ST4X20	x2	20		ST4X10	x2
4		JT024-05	x1	21		PL120	x1
5		C	x1	22		AL085	x1
6		PL143	x1	23		PL041	x8
7		JT037	x1	24		ST4x30	x7
8		JT023-02	x1	25			x1
9		PL125L/R	x1	26		PL122L/R	x1
10		AL082	x1				
11		RL023	x2				
12		ST4x10	x1				
13		PL121	x1				
14		PL123	x1				
15		HD065	x1				
16		B	x1				
17		HD064-C	x1				

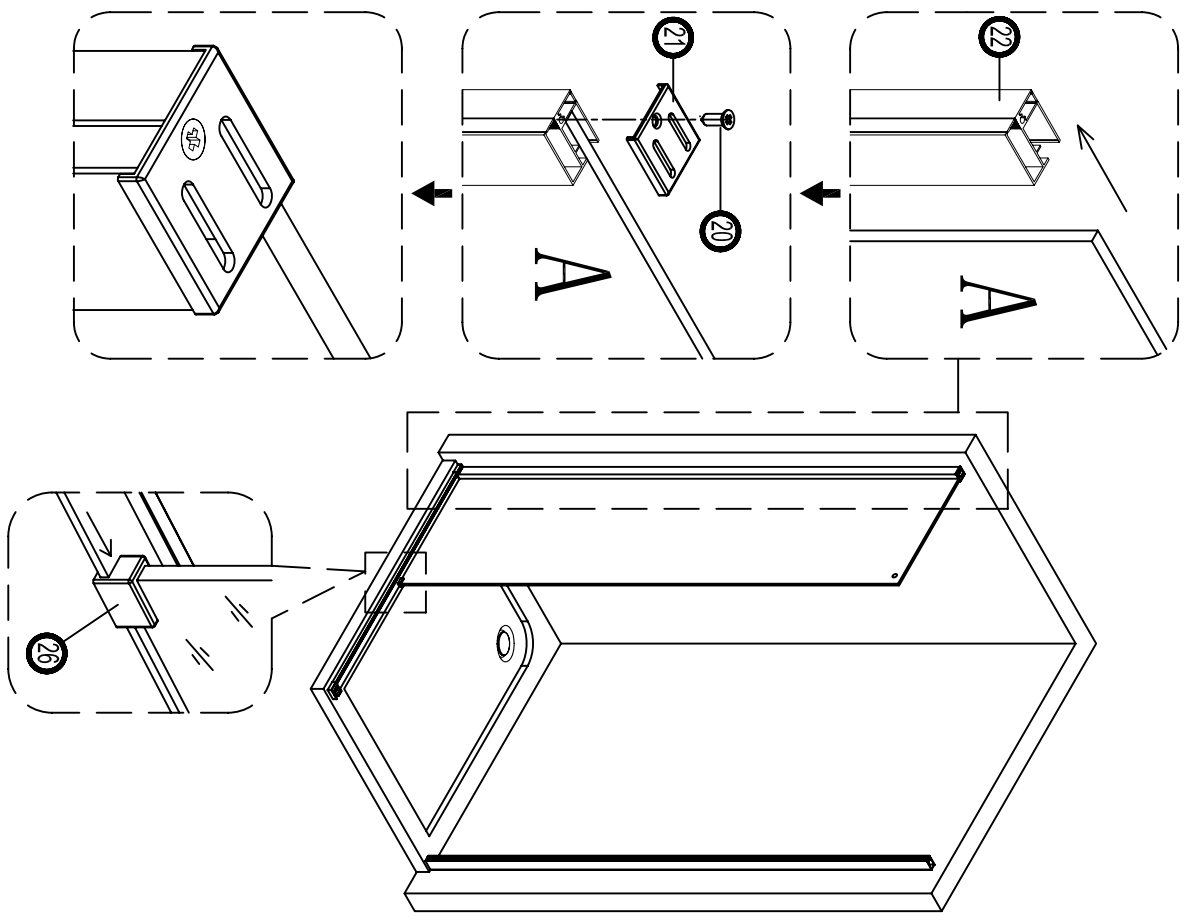
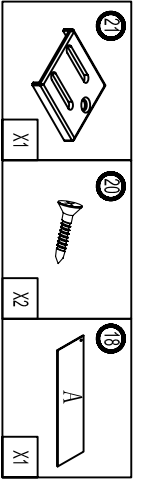


- X1
- X1
- X1
- X1
- X1
- X7
- X7

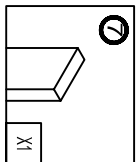




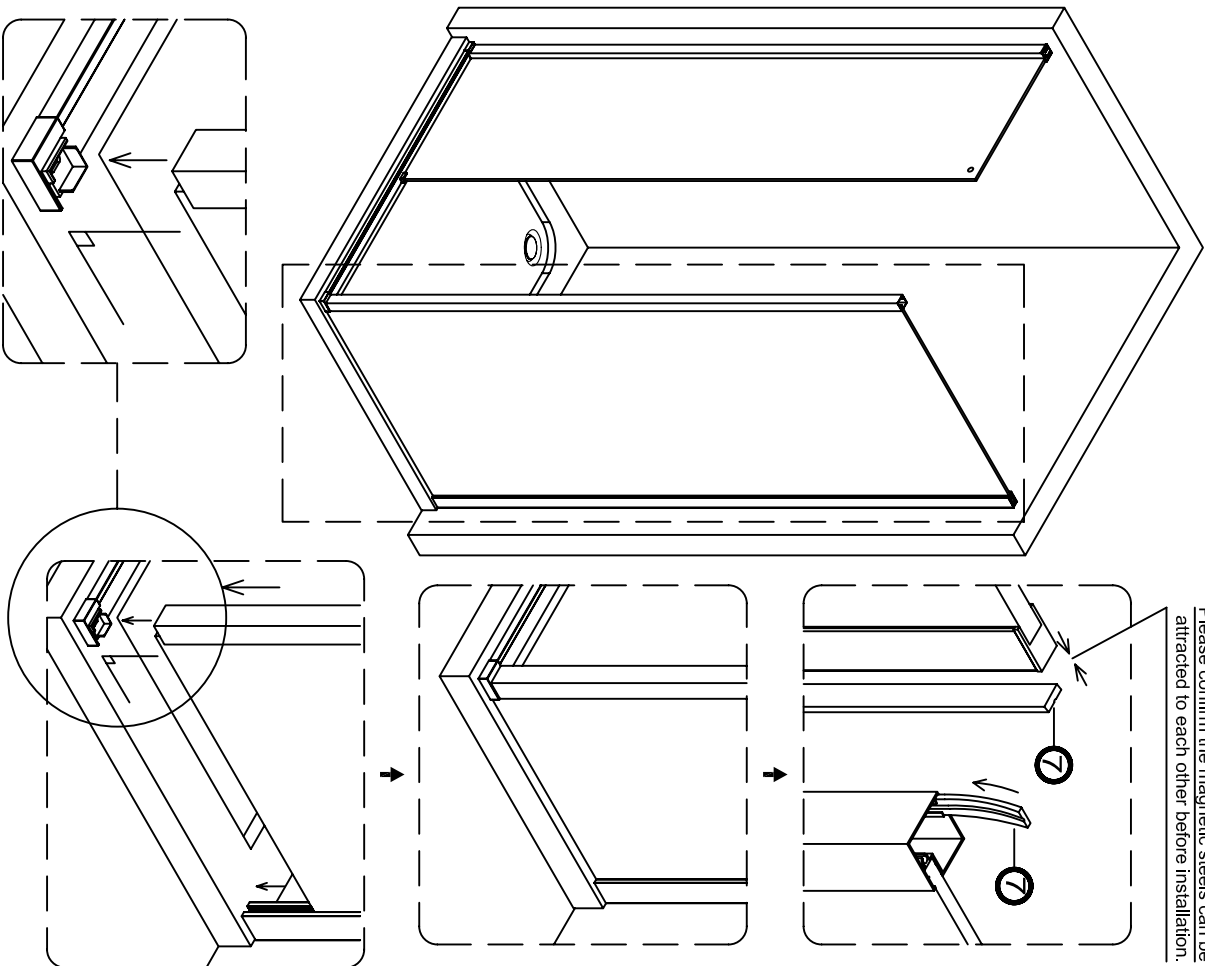
9



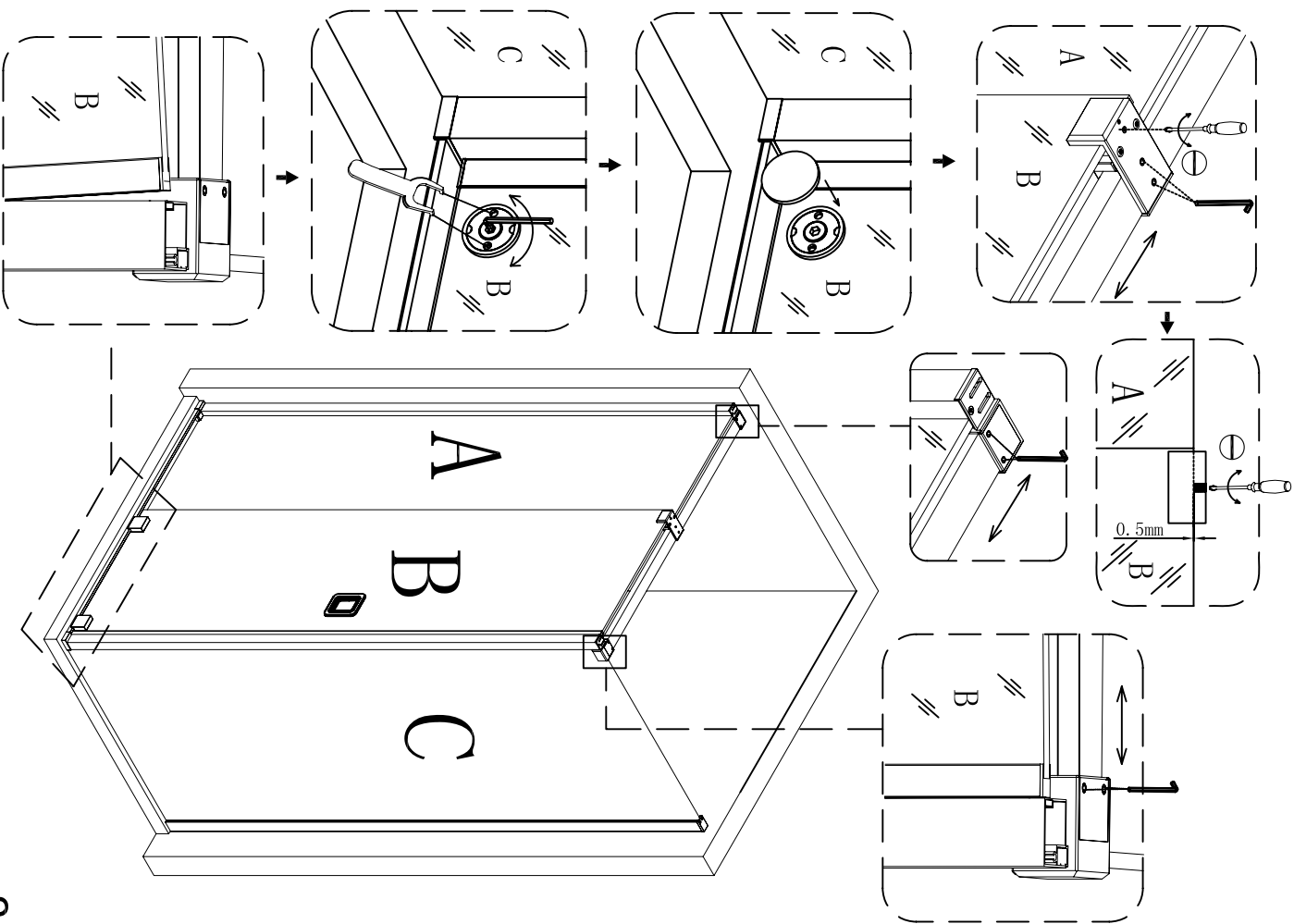
2



Please confirm the magnetic steels can be attracted to each other before installation.



3



8

