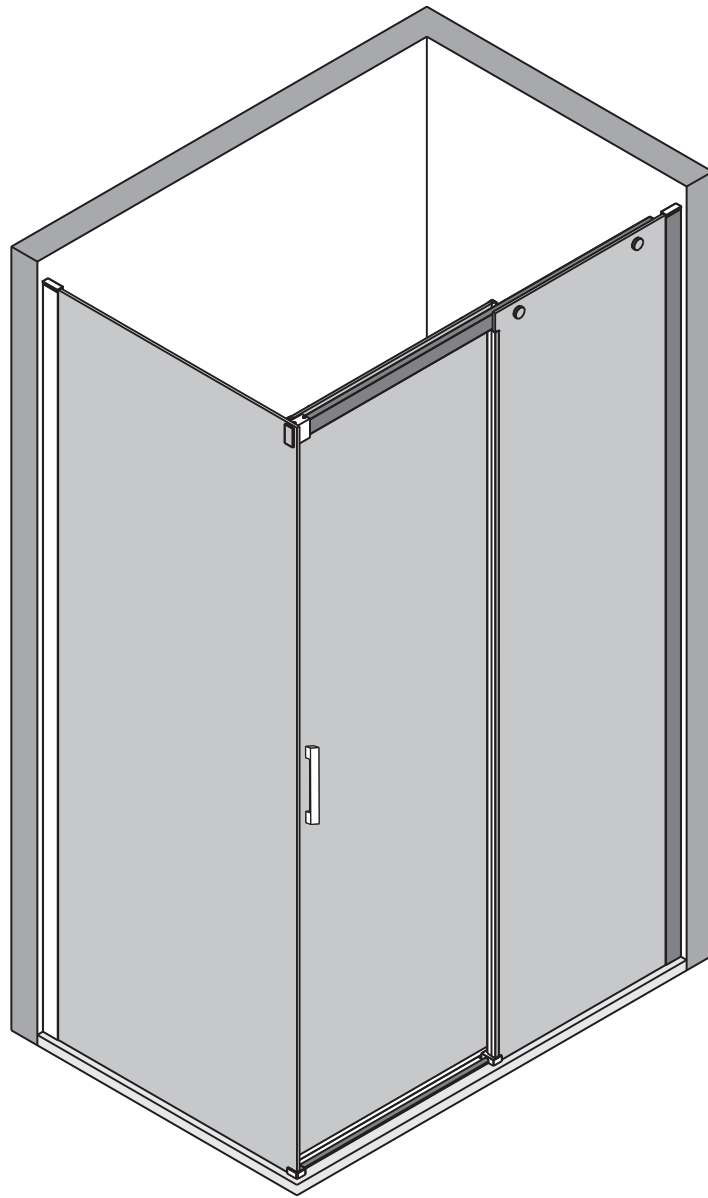
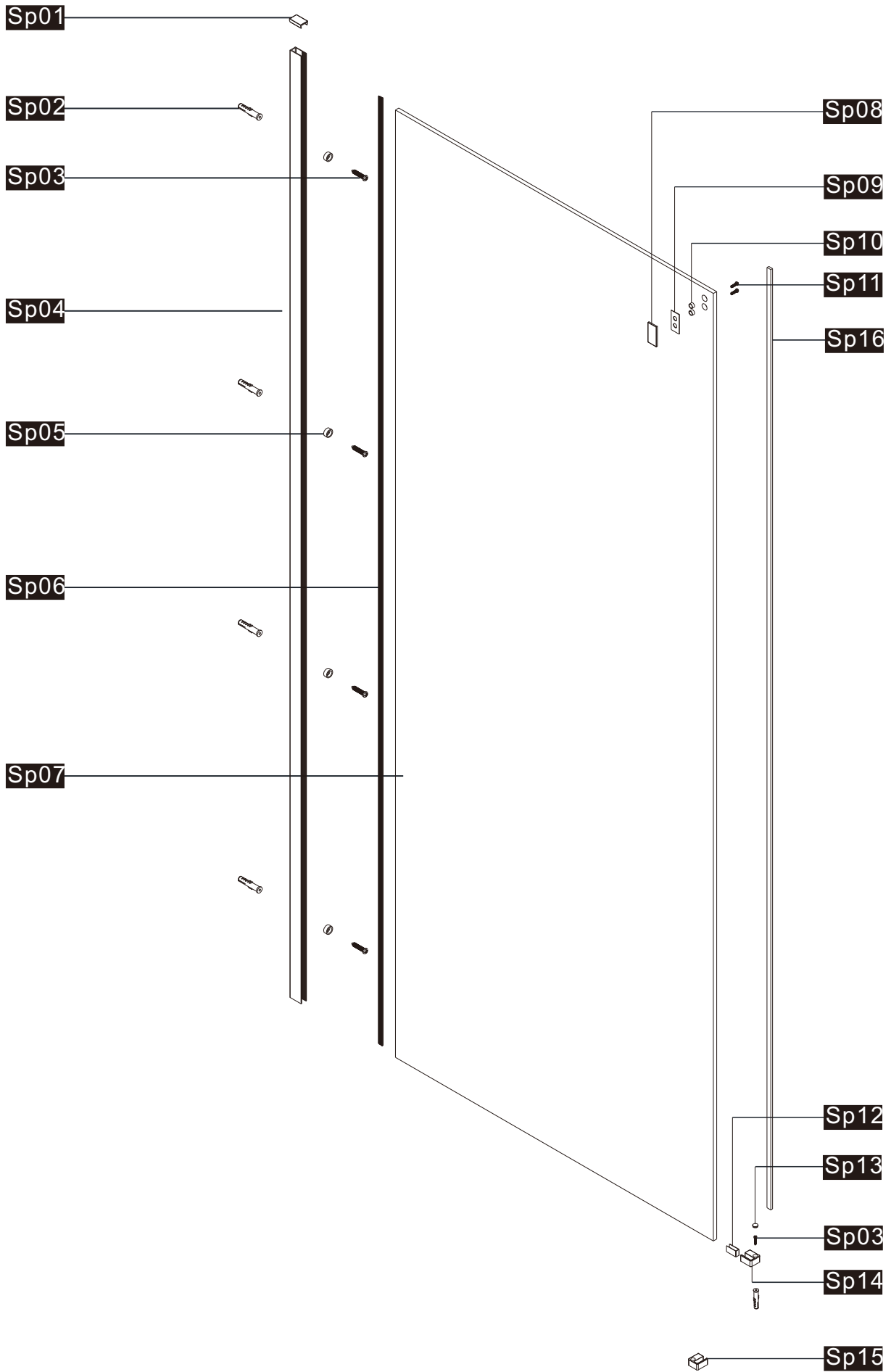


rubicer | SHOWERING

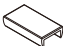










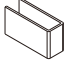






Timeless

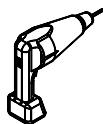
Produktoversikt:



Deler:

serial number	graphical	size	quantity	part no
Sp01			1	
Sp02			5	
Sp03		ST4X30	5	
Sp04			1	
Sp05			4	
Sp06			1	
Sp07			1	
Sp08			1	
Sp09			2	
Sp10			2	
Sp11		M5X14	2	
Sp12			1	
Sp13			1	
Sp14			1	
Sp15			1	
Sp16			1	

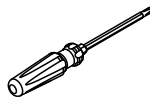
OUTILS ET MATÉRIAUX REQUIS/TOOLS AND MATERIALS REQUIRED



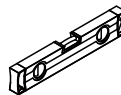
PERCEUSE
DRILL



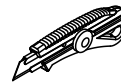
SCISSORS



TOURNEVIS
SCREWDR



NIVEAU
LEVEL



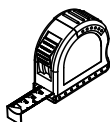
COUTEAU DE PRECISION
PRECISION KNIFE



SILICONE
SILICONE



FORETS: 1/8", 3/16" ET 1/4"
*FORET À MACONNERIE
DRILL BITS: 1/8", 3/16" ET 1/4"
*MASONRY DRILL BIT



RUBAN À MESURER
MEASURING TAPE



ÉQUERRE
SET SQUARE



CRAYON
PENCIL

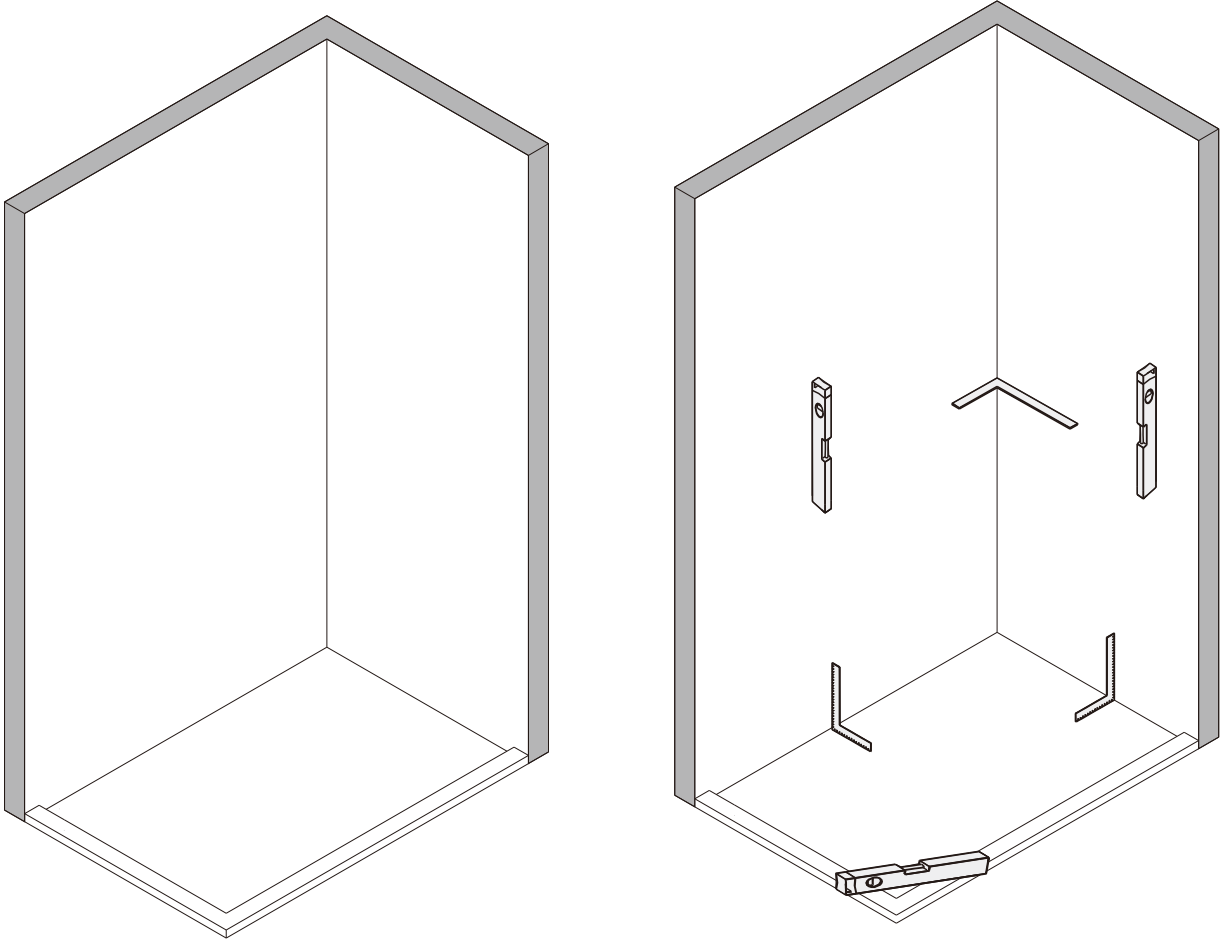


MAILLET
MALLET

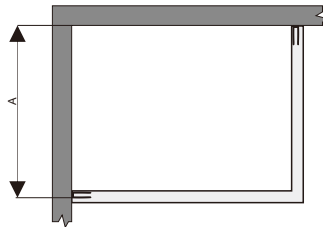
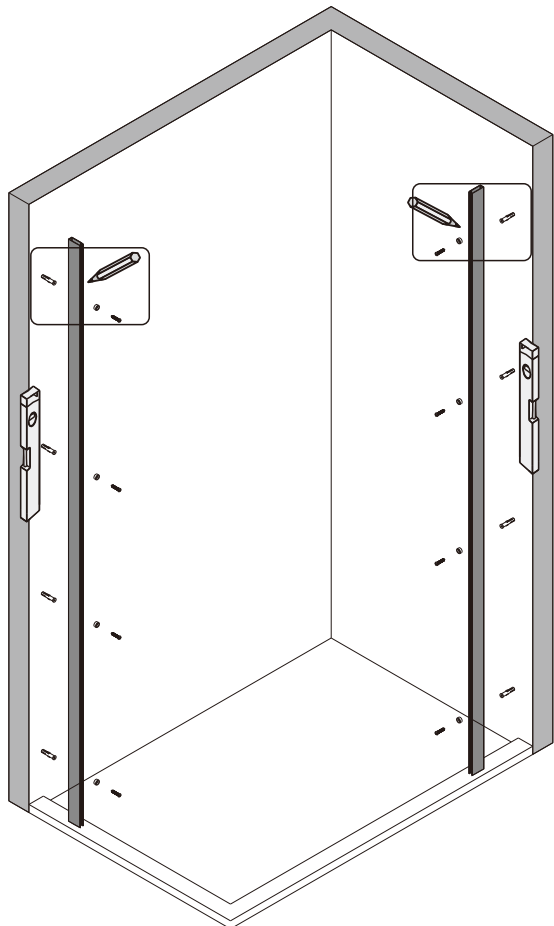


INNER HEXAGON
SPANNER

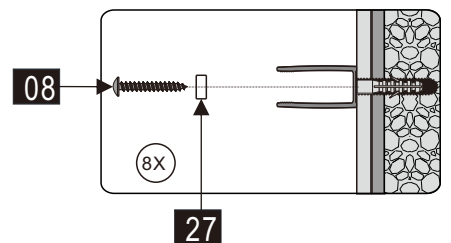
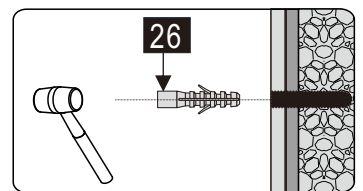
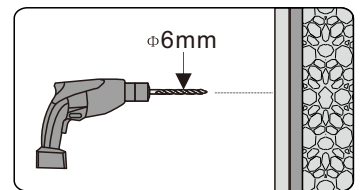
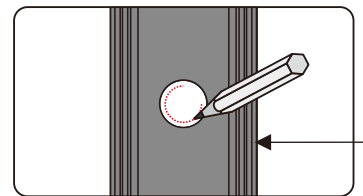
1

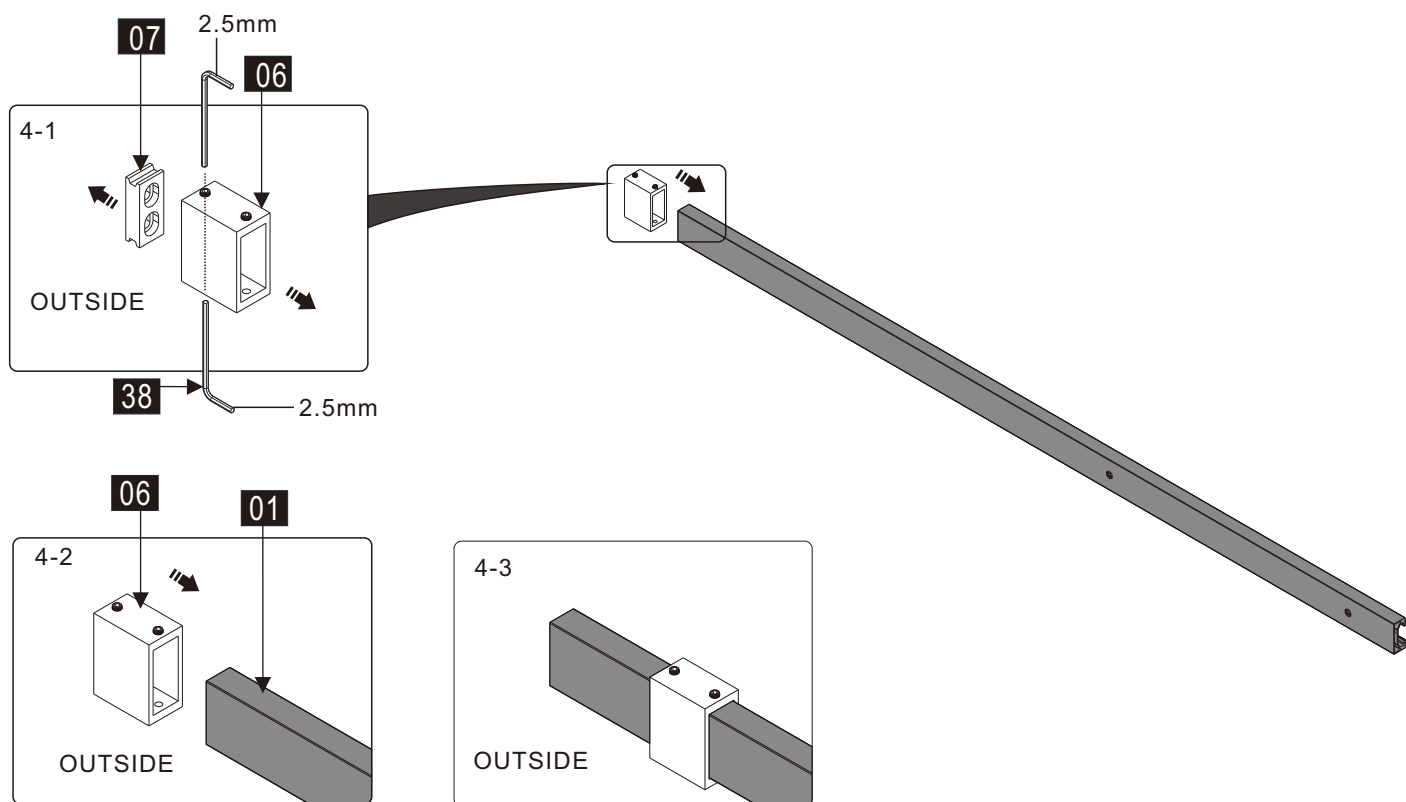
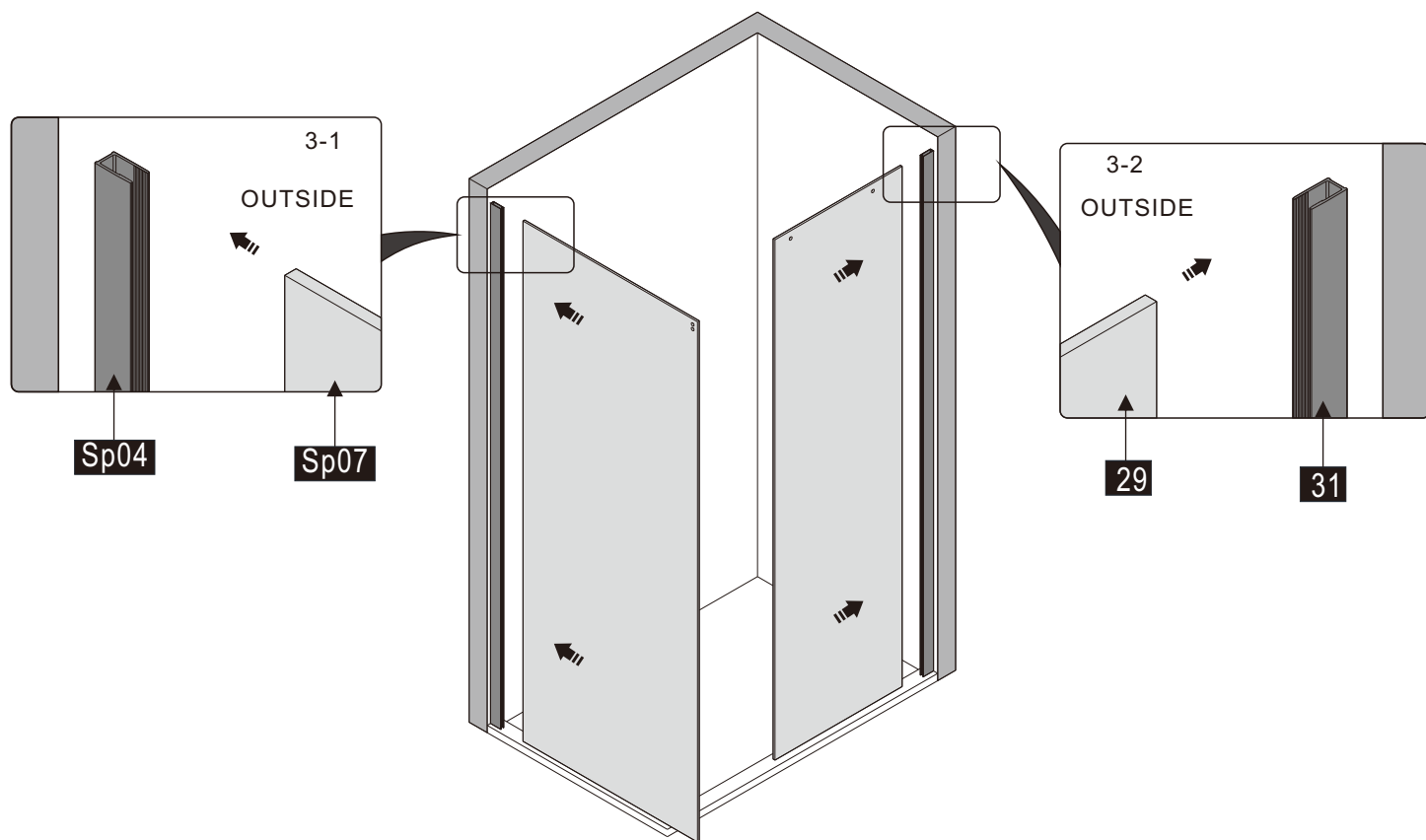


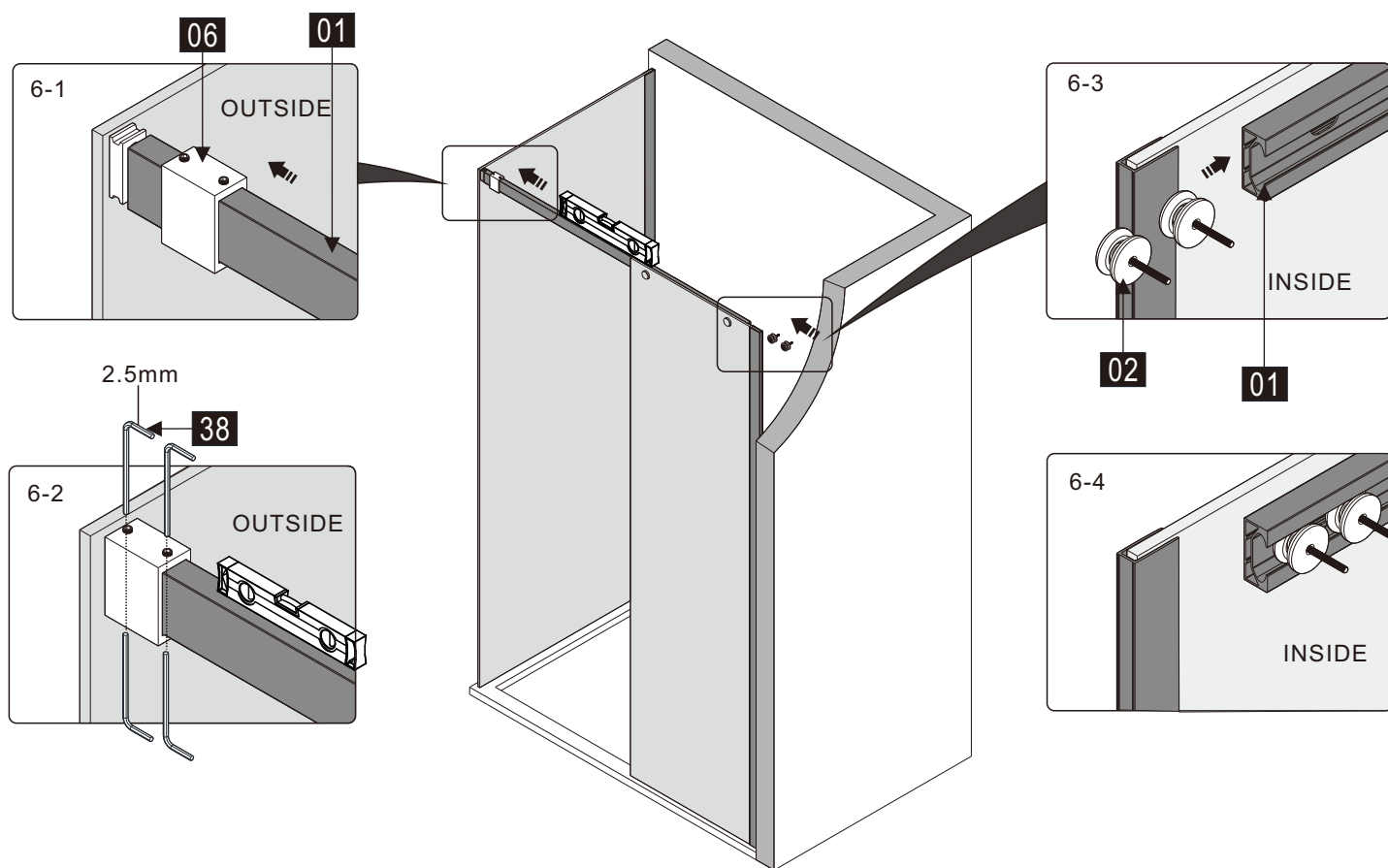
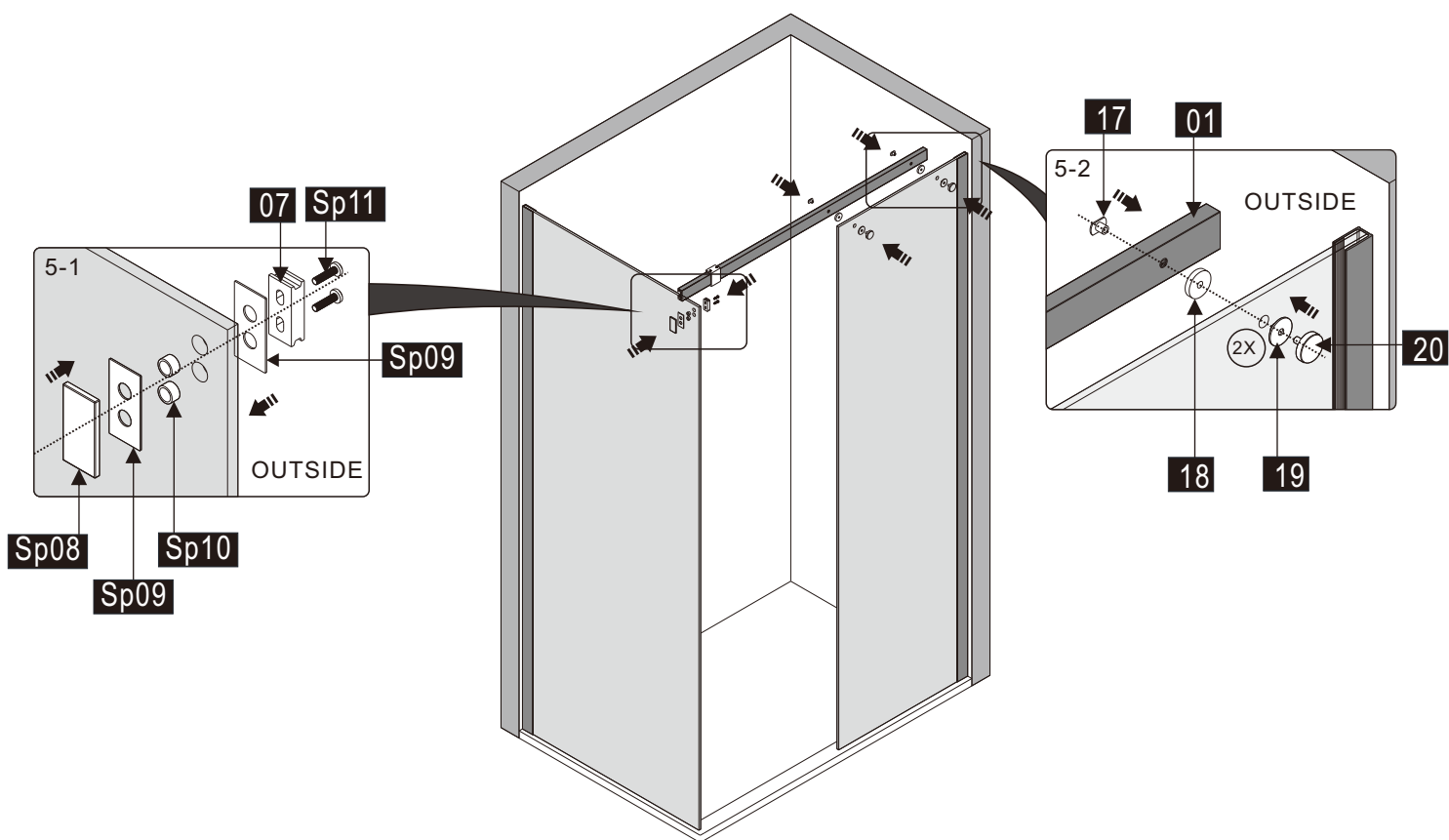
2



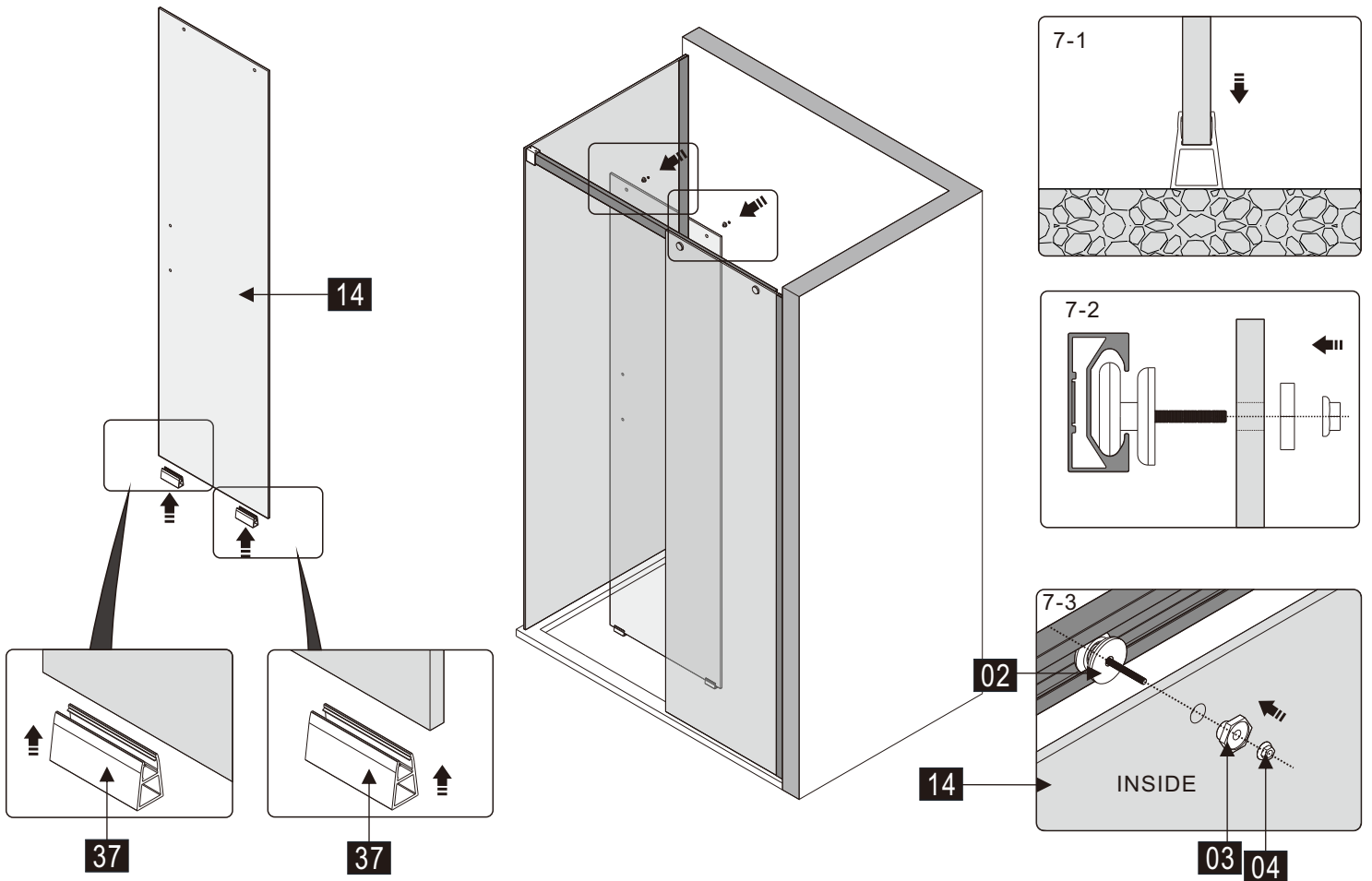
Size	A
700	675 ~ 685
800	775 ~ 785
900	875 ~ 885



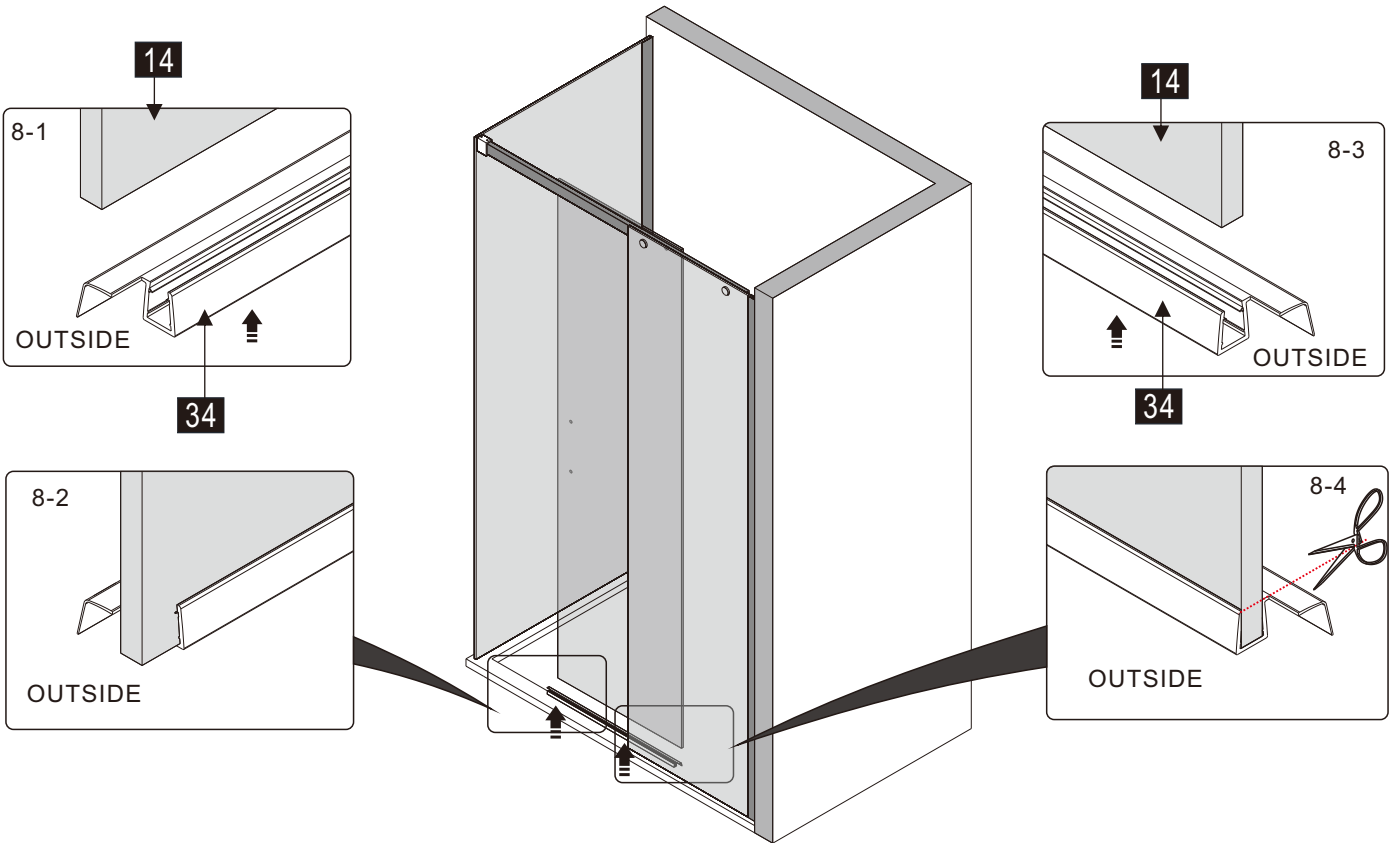


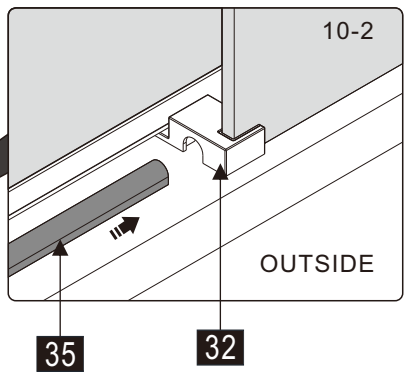
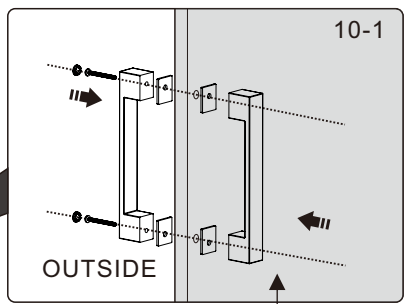
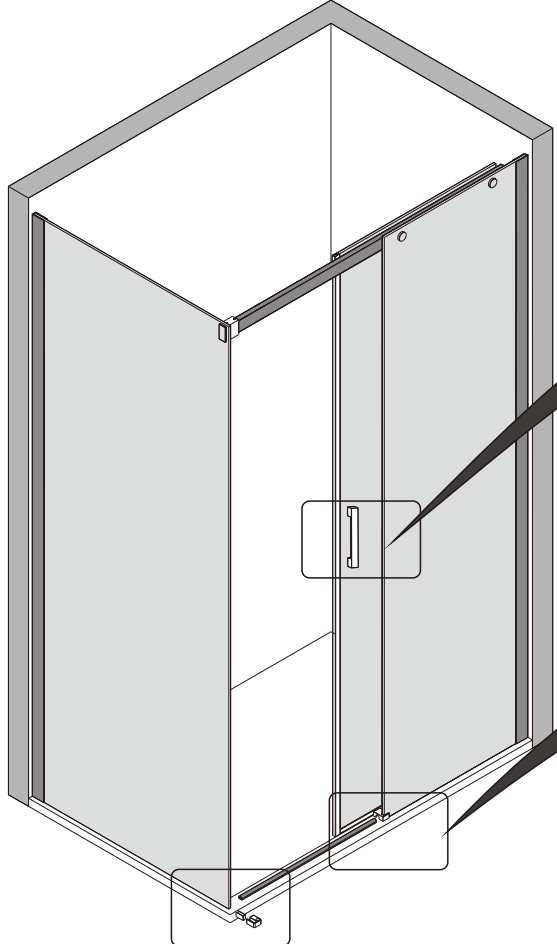
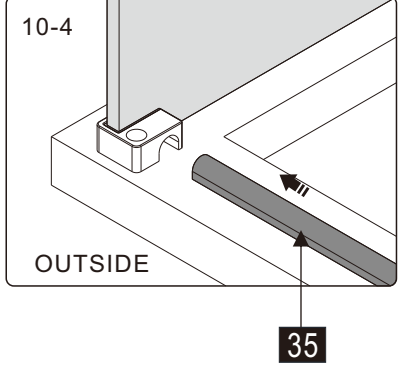
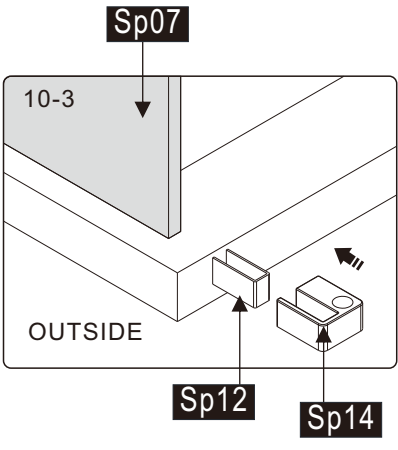
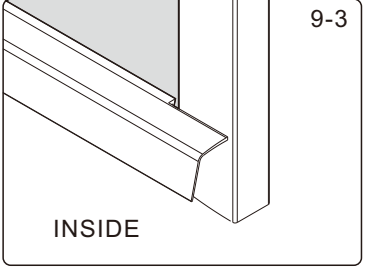
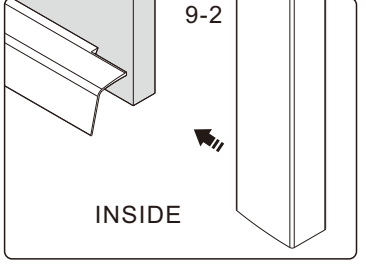
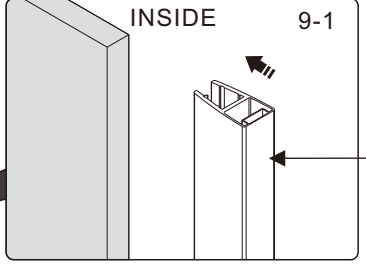
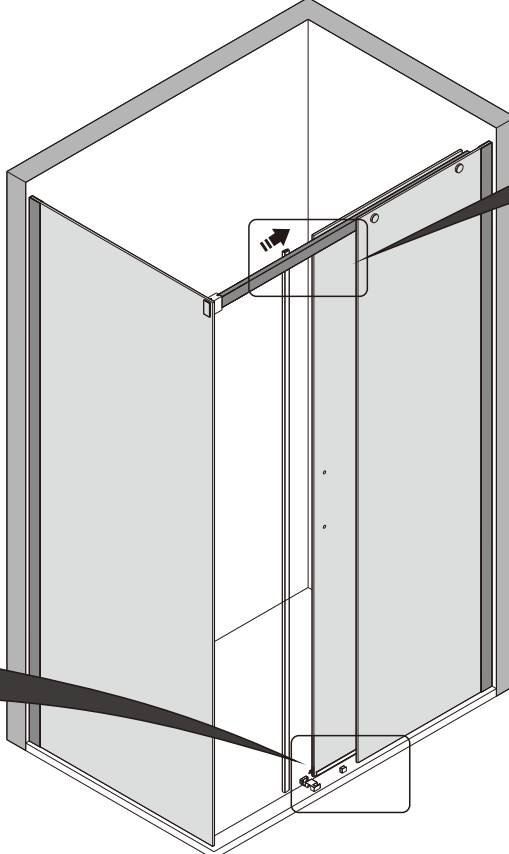
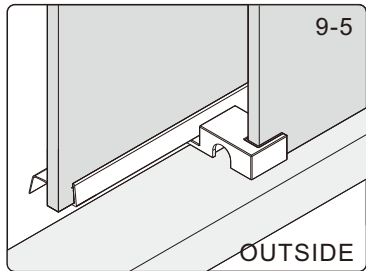
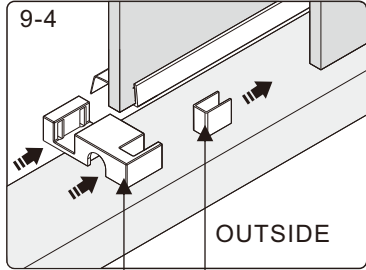


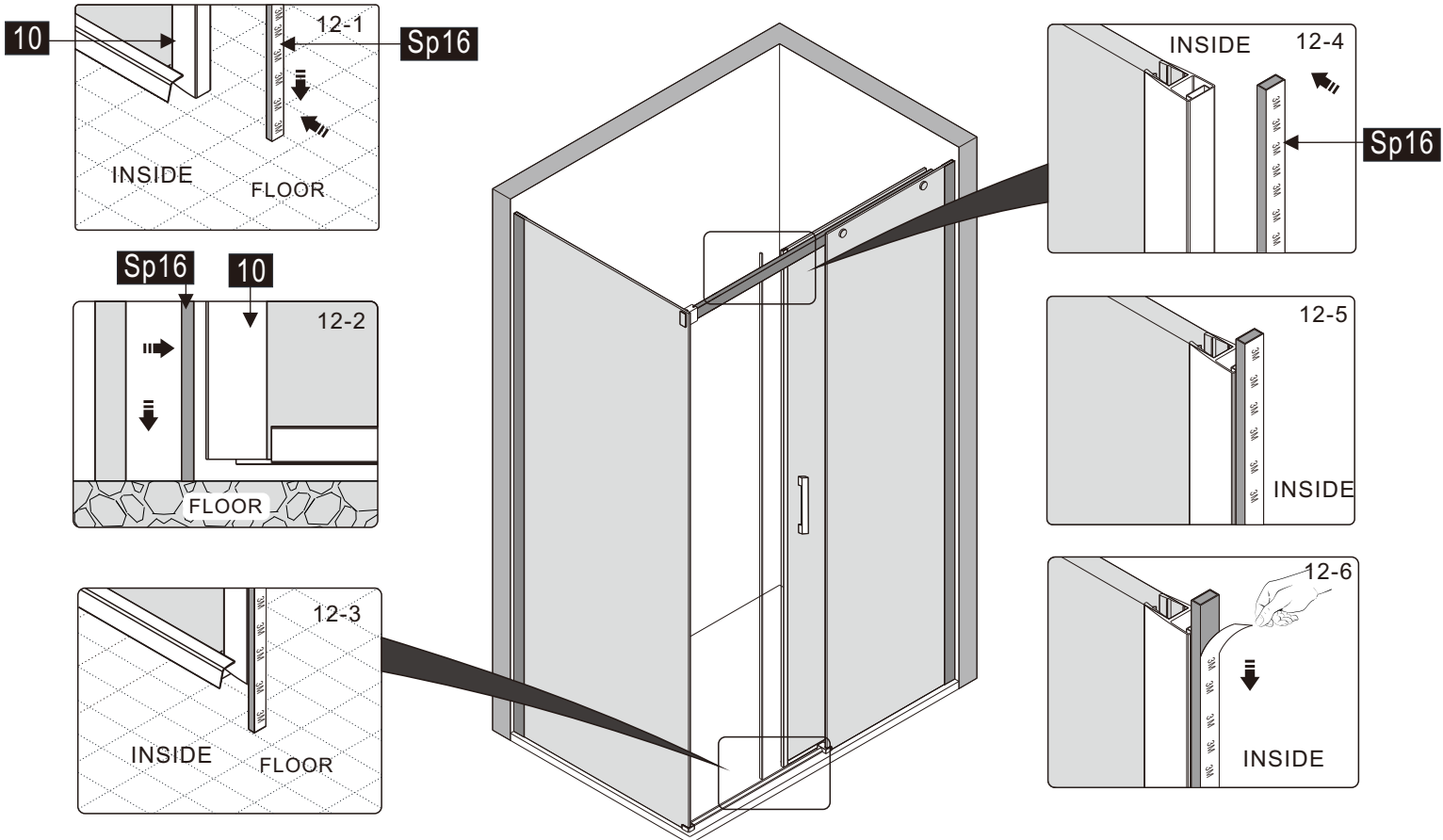
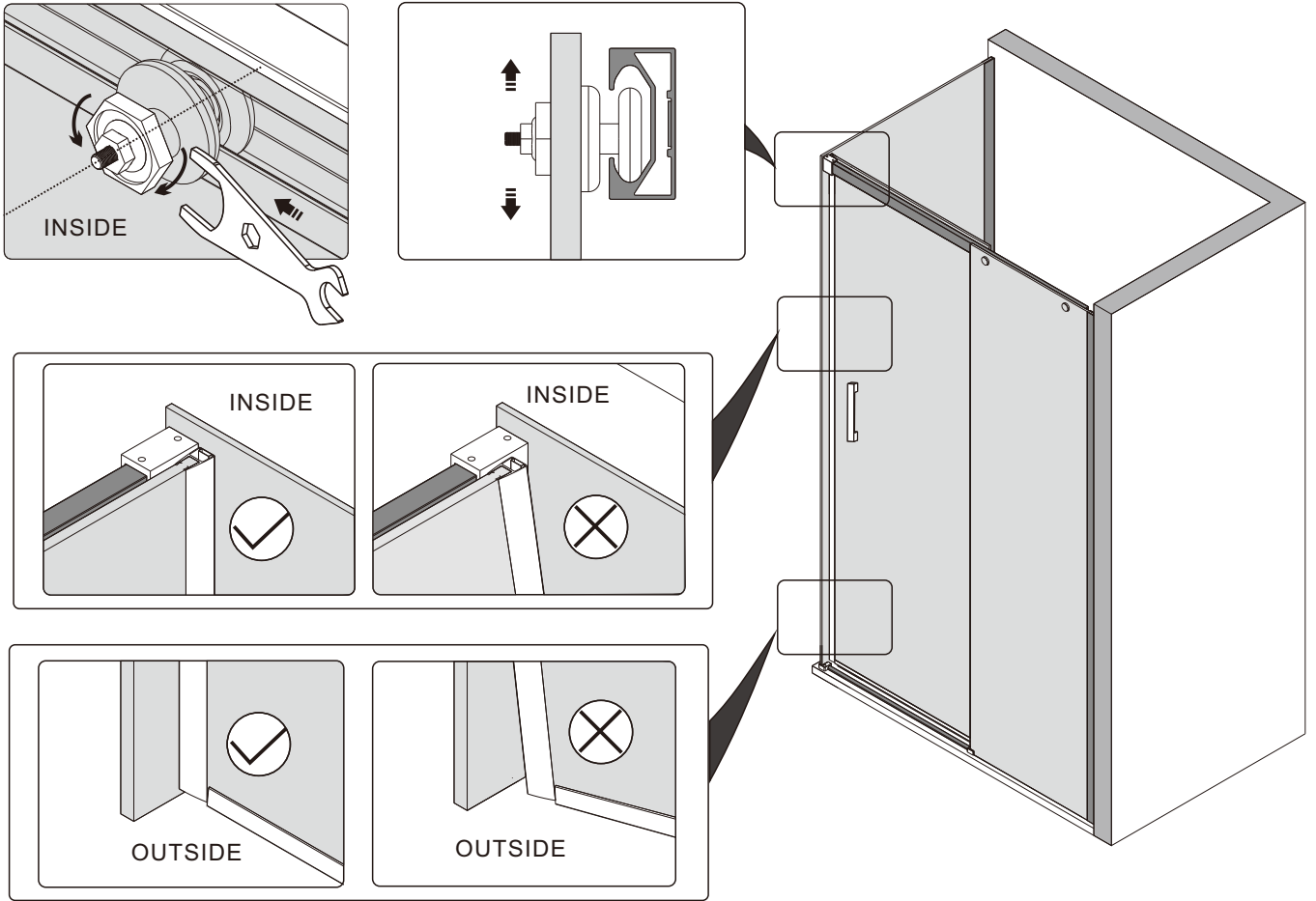
7

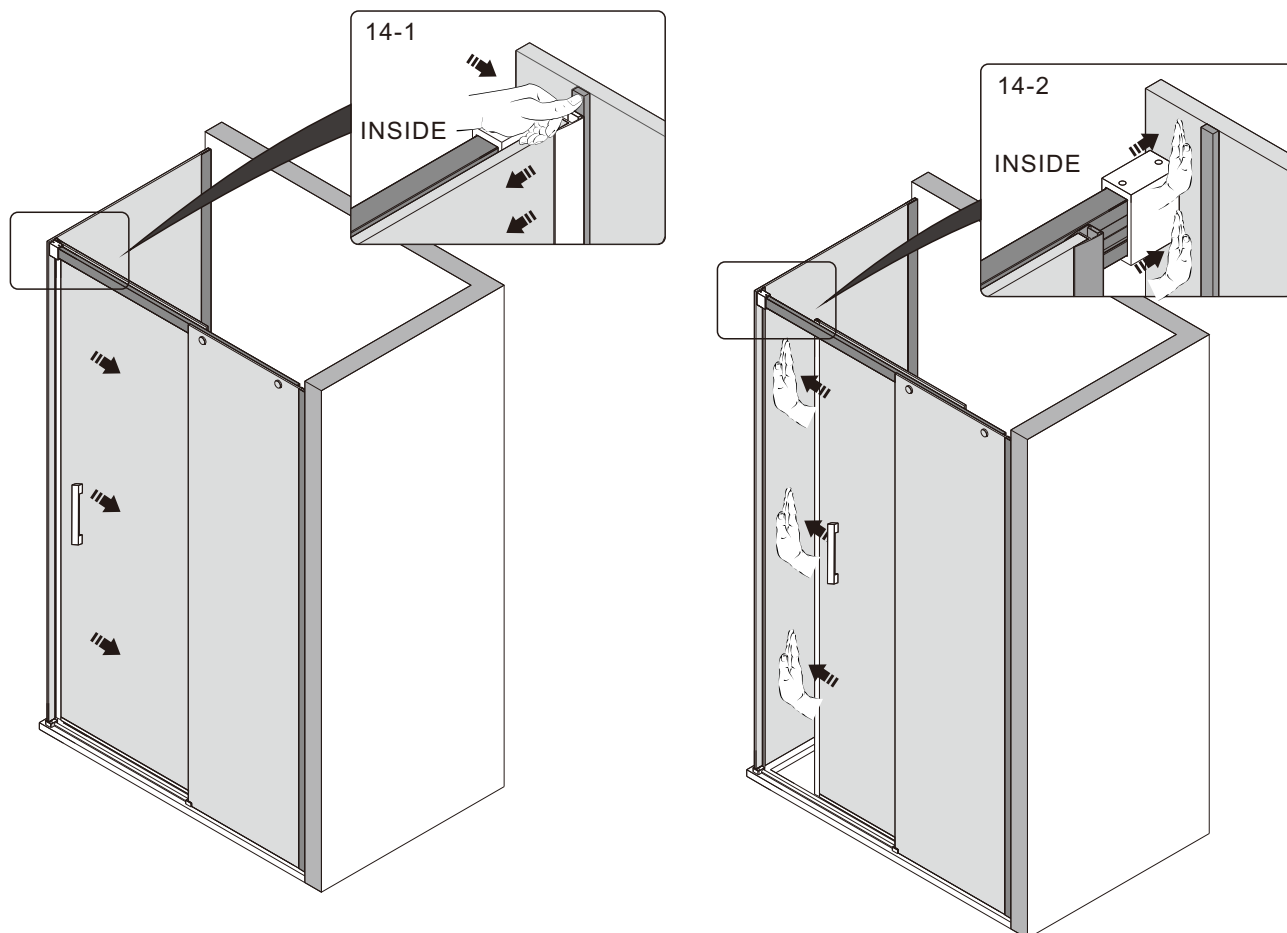
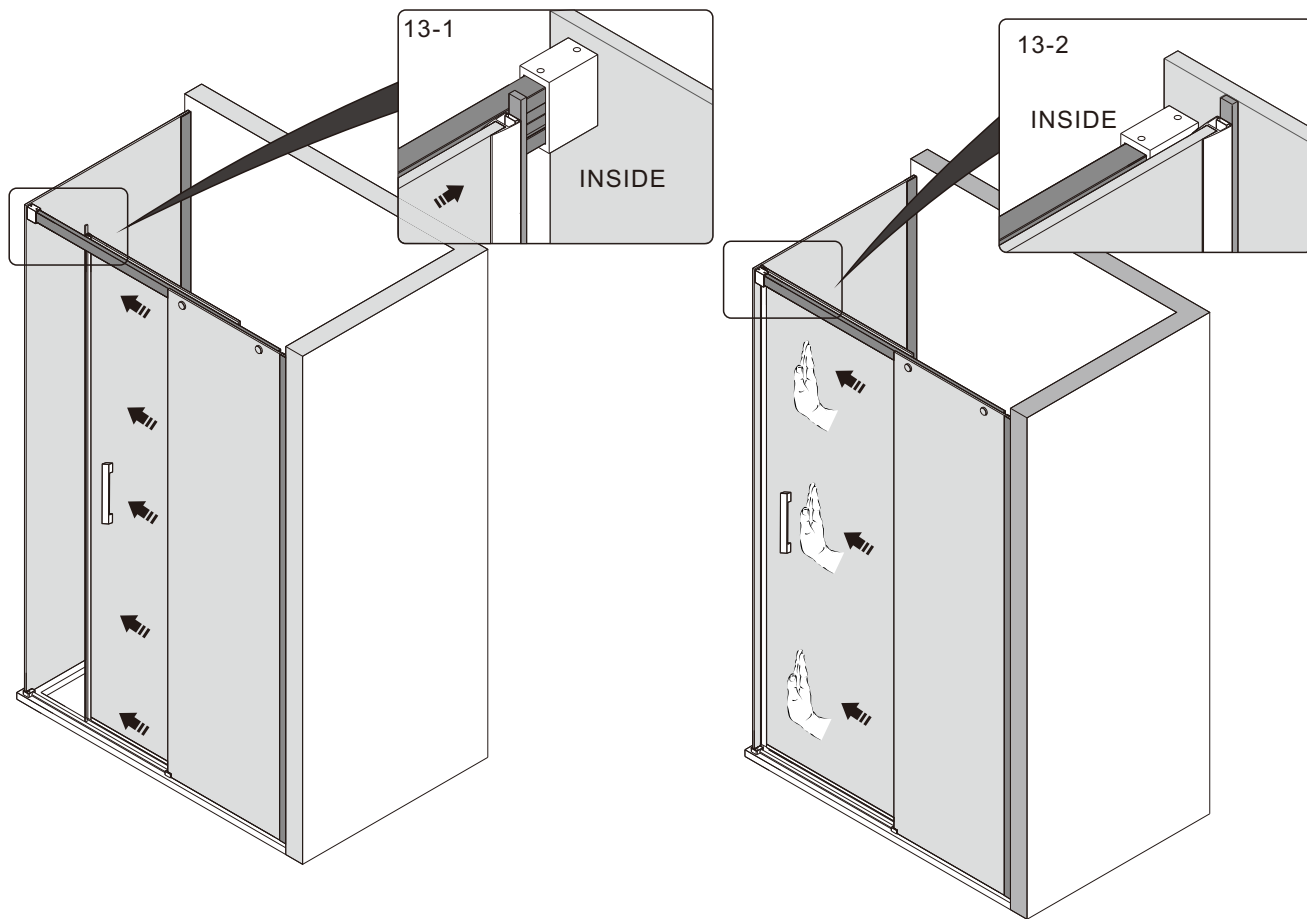


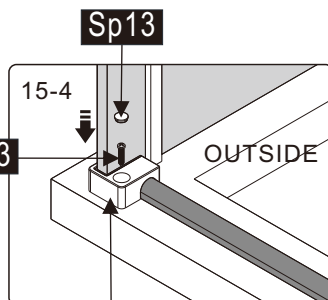
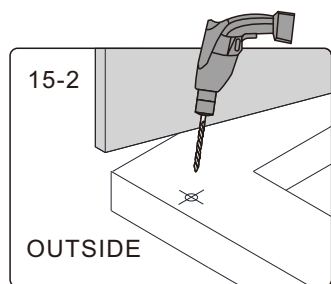
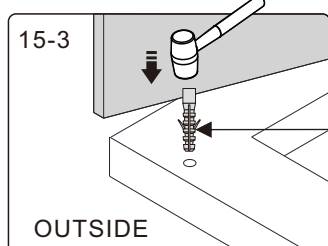
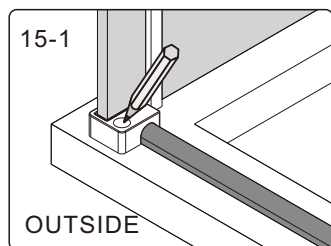
8











Sp02

Sp03

Sp13

Sp14

